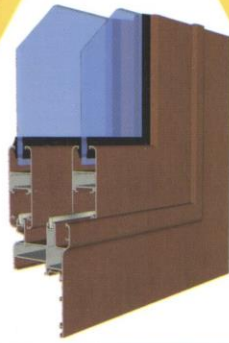




EXTRUCOAT 21 For Extruding Aluminum Profiles

اكستروكوت 21 لسحب قطاعات الالومنيوم

30 years / 25 years / 15 years / 10 years warranty



VOLCANO
70 Anox



ALCEO VOLCANO

70 Anox

INDEX

NUMERIQUE

■P... 2-5	Certificates.
■P... 6-7	Technical Specification.
■P... 8-11	Profiles List
■P... 12-14	Accessories
■P... 15-18	Profiles
■P... 19-24	Cutting List
■P... 25-39	Sections
■P... 40	3D Drawings



intertek
Total Quality Assured.

CERTIFICATE OF REGISTRATION

This is to certify that the management system of:
**Al Dawlia 21 for Producing
 Coloring Aluminium Profiles**
 Main Site: Third Industrial Zone – Piece 576 - 6th October City – Egypt
 has been registered by Intertek as conforming to the requirements of:
ISO 9001:2015
 The management system is applicable to:
 Treatment, coating and wholesale of aluminum profiles.

Certificate Number:
DBY060747-QMS-01
 Initial Certification Date:
01 December 2010
 Date of Certification Decision:
10 March 2018
 Issuing Date:
10 March 2018
 Valid Until:
30 November 2019



Calin Moldovean

Calin Moldovean
 President, Business Assurance
 Intertek Certification Limited, 10A Victory
 Park, Victory Road, Derby DE24 8ZF, United
 Kingdom
 Intertek Certification Limited is a
 UKAS accredited body under
 schedule of accreditation no. 014.



In the absence of this certificate, Intertek assumes no liability to any party other than to the Client, and then only in accordance with the agreed upon Certification Agreement. This certificate's validity is subject to the organization maintaining their system in accordance with Intertek's requirements for system certification. Validity may be confirmed via email at certificates.validation@intertek.com or by scanning the code to the right with a smartphone. The certificate remains the property of Intertek, to whom it must be returned upon request.



intertek
Total Quality Assured.

CERTIFICATE OF REGISTRATION

This is to certify that the management system of:
**Al Dawlia 21 for Producing
 Coloring Aluminium Profiles**
 Main Site: Third industrial Zone – Piece 576 - 6th October City – Egypt
 has been registered by Intertek as conforming to the requirements of:
ISO 14001:2015
 The management system is applicable to:
 Treatment, coating and wholesale of aluminum profiles.

Certificate Number:
DBY060747-EMS-01
 Initial Certification Date:
01 December 2010
 Date of Certification Decision:
10 March 2018
 Issuing Date:
10 March 2018
 Valid Until:
30 November 2019



Calin Moldovean

Calin Moldovean
 President, Business Assurance
 Intertek Certification Limited, 10A Victory
 Park, Victory Road, Derby DE24 8ZF, United
 Kingdom
 Intertek Certification Limited is a
 UKAS accredited body under
 schedule of accreditation no. 014.



In the absence of this certificate, Intertek assumes no liability to any party other than to the Client, and then only in accordance with the agreed upon Certification Agreement. This certificate's validity is subject to the organization maintaining their system in accordance with Intertek's requirements for system certification. Validity may be confirmed via email at certificates.validation@intertek.com or by scanning the code to the right with a smartphone. The certificate remains the property of Intertek, to whom it must be returned upon request.



intertek
Total Quality Assured.

CERTIFICATE OF REGISTRATION

This is to certify that the management system of:
**Al Dawlia 21 for Producing
 Coloring Aluminium Profiles**
 Main Site: Third Industrial Zone – Piece 576 - 6th October City – Egypt
 has been registered by Intertek as conforming to the requirements of:
OHSAS 18001:2007
 The management system is applicable to:
 Treatment, coating and wholesale of aluminum profiles.

Certificate Number:
DBY060747-OHSAS-01
 Initial Certification Date:
01 December 2010
 Date of Certification Decision:
01 November 2016
 Issuing Date:
02 November 2016
 Valid Until:
30 November 2019



Calin Moldovean

Calin Moldovean
 President, Business Assurance
 Intertek Certification Limited, 10A Victory
 Park, Victory Road, Derby DE24 8ZF, United
 Kingdom
 Intertek Certification Limited is a
 UKAS accredited body under
 schedule of accreditation no. 014.



In the absence of this certificate, Intertek assumes no liability to any party other than to the Client, and then only in accordance with the agreed upon Certification Agreement. This certificate's validity is subject to the organization maintaining their system in accordance with Intertek's requirements for system certification. Validity may be confirmed via email at certificates.validation@intertek.com or by scanning the code to the right with a smartphone. The certificate remains the property of Intertek, to whom it must be returned upon request.



VOLCANO

70 Anox





Quali Middle East Association

MEMBERSHIP CERTIFICATION

This is to certify that

EXTRUCOAT 21
6TH OF OCTOBER CITY, GIZA, EGYPT

Membership Ref.: A043

is a member of the Quali Middle East Association and is a signatory to the policies and procedures related to the membership of the Association.

Period of validity of the certificate: until 31.12.2018

Dubai, 31 December 2017

QUALI MIDDLE EAST ASSOCIATION

Nasir Fahmeed
General Secretary

Mailing address: Quali Middle East Association c/o Dubai Association Centre, ESC-24, T-7, 19 th Floor Sheikh Rashid Tower, Dubai World Trade Centre Dubai, United Arab Emirates	P.O. Box 23070, Dubai-UAE Phone: 7088 309 4 971+ E-Mail: admin@qualimiddleeast.com Internet: www.qualimiddleeast.com
---	---

QMEA License No. DAC-0039 issued by Dubai Chamber of Commerce & Industry

**Authorization
to use the quality sign**



This is to certify that

EXTRUCOAT 21 FOR EXTRUDING ALUMINUM PROFILES

Piece Z 3-T 5, Engineering Square
Northern Expansions Industrial Zones
EG 666 6th of October City

Licence number: 1604

is authorized to use the quality sign which is shown above according to the REGULATIONS FOR THE USE OF THE QUALICOAT QUALITY SIGN FOR PAINT, LACQUER AND POWDER COATINGS ON ALUMINIUM FOR ARCHITECTURAL APPLICATIONS.

Date of issue of the licence: 11.08.2017
Period of validity of the licence: until 31.12.2018

Zurich, 3 October 2017

QUALICOAT

CERTIFICATION BODY

Mohammed C. Panam
President

Josef Schoppig
AC-Fiduciaire SA



Mailing address
QUALICOAT, P.O. Box 507, CH-07 Zurich
Domicile
QUALICOAT c/o AC-Fiduciaire SA, T distrasse, CH-00 Zurich

Phone 0 3 305 0 70 7
Fax 0 3 305 0
E-mail info@qualicoat.net
Internet www.qualicoat.net

70 Anox
VOLCANO





Certificate of Approval

Extrucoat 21

is certified as an Approved Applicator to coat
Jotun Facade
a product from Jotun Powder Coatings

This Company fulfils the requirements set by Jotun Powder Coatings for pre-treatment and application of powder coatings. These include having the necessary equipment, process controls and technical knowledge to comply with Jotun Powder Coatings' standards.



[Signature]
Authorized Signatory
Jotun Powder Coatings UAE (LLC)

January 01, 2018
(Certificate valid for one year from date above)



Certificate of Approval

Extrucoat 21

is certified as an Approved Applicator to coat
Jotun Super Durable
a product from Jotun Powder Coatings

This Company fulfils the requirements set by Jotun Powder Coatings for pre-treatment and application of powder coatings. These include having the necessary equipment, process controls and technical knowledge to comply with Jotun Powder Coatings' standards.



[Signature]
Authorized Signatory
Jotun Powder Coatings UAE (LLC)

January 01, 2018
(Certificate valid for one year from date above)



Certificate of Approval

Extrucoat 21

is certified as an Approved Applicator to coat
Jotun Durasol
a product from Jotun Powder Coatings

This Company fulfils the requirements set by Jotun Powder Coatings for pre-treatment and application of powder coatings. These include having the necessary equipment, process controls and technical knowledge to comply with Jotun Powder Coatings' standards.



[Signature]
Authorized Signatory
Jotun Powder Coatings UAE (LLC)

January 01, 2018
(Certificate valid for one year from date above)

VOLCANO

70 Anox





Interpon.
POWDER COATINGS

AkzoNobel

Interpon D Approved Applicator

Interpon D1000 Series

Extrucoat 21 for producing coloring aluminium profiles

3rd Industrial area, piece 576, 6th of October.
Giza, Egypt.

Has fulfilled AkzoNobel's tests and inspection regarding the pre-treatment, the application, the quality management standards, the procedures and complies with the requirements of the Architectural Range Approved Applicator schedule.

This certificate is effective from
17th October 2017 to 16th October 2018

Approved for Aluminium Alloys AA6063
Approved for Pre-treatment Type Chrome

Wael Mahmoud
Regional Export & Marketing Manager
Near East & East Africa

Date 17/10/2017
Certification number N° EGY99D1

AkzoNobel Powder Coatings S A E



Interpon.
POWDER COATINGS

AkzoNobel

Interpon D Approved Applicator

Interpon D2000 Series

Extrucoat 21 for producing coloring aluminium profiles

3rd Industrial area, piece 576, 6th of October.
Giza, Egypt.

Has fulfilled AkzoNobel's tests and inspection regarding the pre-treatment, the application, the quality management standards, the procedures and complies with the requirements of the Architectural Range Approved Applicator schedule.

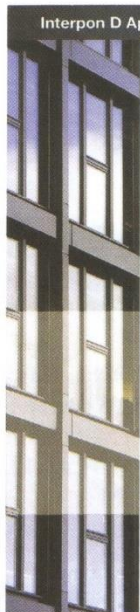
This certificate is effective from
30th October 2017 to 29th October 2018

Approved for Aluminium Alloys AA6063
Approved for Pre-treatment Type Chrome


Wael Mahmoud
Regional Export & Marketing Manager
Near East & East Africa

Date 30/10/2017
Certification number N° EGY99D2

AkzoNobel Powder Coatings S A E



70 Anox
VOLCANO





SPECIFICATION TECHNIQUE TECHNICAL SPECIFICATION

PROFILS:

Ce système a été étudié et conçu par Alceo, pour la fabrication de fenêtre à frappe et coulissante. Il utilise les dernières technologies d'assemblage et de fabrication. Ce nouveau système est en conformité avec le standard Européen.

NORMES PRINCIPALES:

Etudes et production: NF P24-101, NF P24-301, XP P24-400 et 401

Test et classification: NF EN 1026, NF EN 1027, NF EN 12211, NF EN 12207, NF EN 12208, NF EN 12210.

Performances thermiques et acoustiques: NF EN 410, NF EN 673, NF EN ISO 10077-1, PR EN 13947, NF EN ISO 140-4 et NF EN ISO 140-5.

MATIERE:

Le profil extrudé est en alliage d'aluminium (Al Mg Si) 6060 (norme NF EN 573-3, NF EN 755-1 and 2). Les tolérances sont conformes à la norme NF EN 12020-1 et 2).

TRAITEMENT THERMIQUE:

T4-T5-T6

PROTECTION:

Classe d'anodisation :

classe 15 (15-20 microns)

Classe 20 (20-25 microns) en option

L'anodisation est conforme au label qualité QUALANOAD EWWA/EURAS

ACCESSOIRES:

Tous les accessoires, produits et joints sont conçu pour le système Alceo.

Utilisation de matériaux de haute qualité.

Visserie: Acier inoxydable 18/10

Joint: EPDM

Autres: Polyamide, Zamack, Fonte d'aluminium

PROFILES:

This system studied and designed by Alceo is specific for hinged and sliding windows. Using the last technology for fixing and manufacturing operation. This new system is in conformance with French European standard.

MAIN NORMS:

Study and production: NF P24-101, NF P24-301, XP P24-400 and 401

Test and classification: NF EN 1026, NF EN 1027, NF EN 12211, NF EN 12207, NF EN 12208, NF EN 12210.

Thermic and noise performance: NF EN 410, NF EN 673, NF EN ISO 10077-1, PR EN 13947, NF EN ISO 140-4 and NF EN ISO 140-5.

MATERIAL:

The extracted profile are in aluminum alloy (Al Mg Si) 6060 (norm NF EN 573-3, NF EN 755-1 and 2). All tolerance are specific norm NF EN 12020-1 and 2).

THERMICAL TRAITMENT:

T4-T5-T6

PROTECTION:

Anodized class 15 (15-20 microns)

Class 20 (20-25 microns) in option

Anodisation will be conforms to the quality label QUALANOAD EWWA/EURAS

ACCESSORIES:

All accessories, hardware or gaskets are designed for Alceo system.

High quality material using.

Screw: Stainless steel 18/10

Gasket: EPDM

Other: Polyamide, Zamack, Cast aluminum

VOLCANO

70 Anox



SPECIFICATION TECHNIQUE TECHNICAL SPECIFICATION (suite)

CONCEPT PRODUIT:

Coulissant, frappe de type traditionnel.

CADRE FIXE:

Le cadre fixe est de forme tubulaire

CHASSIS OUVRANT:

Coté et montant central sont de forme tubulaire.

ASSEMBLAGE:

Cadre dormant : Coupe a 45° assemblé par equerres vissées.

Cadre ouvrant : Coupe a 45° assemblé par equerres vissées.

VITRAGE :

Simple ou double vitrage, de 6 mm a 22 mm maintenu par des joints en EPDM clippé sur le panneau avec un prise en feuillure minimum de 20mm. Le chassis doit être monté à l'intérieur de la maçonnerie.

ETANCHEITE:

L'étanchéité est assurée par un joint central en EPDM. Une seconde barrière est incluse dans le dormant au centre du chassis (frappe). ;les joints sont en EPDM, ou Silicone.

Les fenêtres et les portes, assure un excellent drainage.

CONCEPT PRODUIT:

Sliding windows, window doors , traditional

FIXED FRAMES:

Fixed frame of form design and tubular section.

OPENING FRAMES:

Side and central of form design and tubular section.

ASSEMBLY:

Door frames: out of cut of mitre by squares with pawn.

Opening: out of cut of mitre by squares with pawn.

GLAZING:

Simple or insulator of 6 with 22 mm maintained by joints in EPDM and a clipped panel a height minimum of 20mm (bottom of feuillure). The panel must obligatorily be with dimensions interior of construction

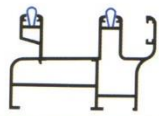
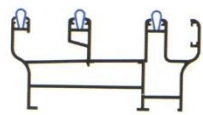
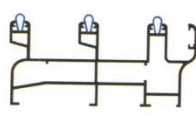

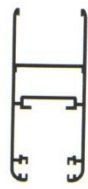
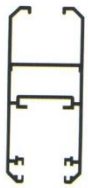

SEALING:

The sealing is guaranteed by a central sealing gasket in EPDM-ASTM tested. A second barrier, constituted by a sealing gasket, is on the flap by the inside overlap. Glazing is done with EPDM sealing gasket or silicone.

The windows and the door producers must guarantee an efficient drainage.






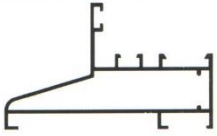
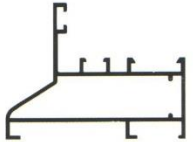

70 Anox

VOLCANO

Profile	Shape	Description	Weight kg/m	lx-x cm ⁴	ly-y cm ⁴
DW 70113		FRAME	1.261	7.562	20.420
DW 70112		FRAME	1.412	9.211	44.731
DW 70114		FRAME	1.602	10.719	64.174
DW 70200		SLIDING SASH SINGLE GLAZING	0.878	13.364	4.544
DW 70201		SLIDING SASH DOUBLE GLAZING	0.841	11.644	4.503
DW 70202		SLIDING FLAT SASH SINGLE GLAZING	0.871	13.041	4.490
DW 70203		SLIDING FLAT SASH DOUBLE GLAZING	0.834	11.312	4.453










VOLCANO

70 Anox

Profile	Shape	Description	Weight kg/m	Ix-x cm ⁴	Iy-y cm ⁴
DW 70204		SLIDING CURVED SASH SINGLE GLAZZING	0.857	12.057	4.203
DW 70205		SLIDING CURVED SASH CURVED GLAZZING	0.830	11.243	4.259
DW 70312		INTER LOCK PROFILE	0.308	1.719	1.046
DW 70313		INTER LOCK PROFILE CURVED	0.452	2.660	1.948
DW 70314		MEETING ADAPTOR	0.282	0.409	0.758
DW 44307		FIXED 75mm	0.906	4.295	17.259
DW 44308		FIXED 60mm	0.805	4.080	10.566
DW 44400		SINGLE GLAZZING BEED	0.258		





70 Anox

VOLCANO

Profile	Shape	Description	Weight kg/m	lx-x cm4	ly-y cm4
DW 44401		DOUBLE GLAZING BEED	0.213		
DW 12315		FLY SCREEN	0.655	9.224	1.925
DW 12316		MEETING ADAPTOR FLY SCREEN	0.173	0.986	0.886
DW 12300		DECORATIVE ARCHITRAVE 50MM	0.369		
DW 12301		DECORATIVE ARCHITRAVE 34MM	0.295		
DW 12302		FLAT ARCHITRAVE 50MM	0.307		
DW 12303		FLAT ARCHITRAVE 34MM	0.237		
DW 12304		ARCHITRAVE 50MM	0.357		
DW 12305		ARCHITRAVE 34MM	0.280		









VOLCANO

70 Anox

Profile	Shape	Description	Weight kg/m	Ix-x cm ⁴	Iy-y cm ⁴
DW 12308		ROUND ARCHITRAVE 50MM	0.365		
DW 12309		ROUND ARCHITRAVE 34MM	0.298		
DW 12310		CUREVED ARCHITRAVE 50MM	0.355		
DW 12311		CUREVED ARCHITRAVE 34MM	0.273		

70 Anox

VOLCANO

CODE	DRAWING	DESCRIPTION	MATERIAL
WH-OMEGA-05		<i>CREMON HANDEL</i>	ALUMINIUM
IH-247-05		<i>PORTOGUESE LOCK PLATE</i>	ALUMINIUM
01-4240		<i>CORNER JOINT</i>	ALUMINIUM
ALU-575		<i>ALIGNMENT FOR SASH</i>	ALUMINIUM
PLAST-570		<i>ALIGNMENT FOR SASH</i>	PVC
ALU-574		<i>ALIGNMENT FOR FRAME</i>	ALUMINIUM
ANTIDUST-3365-03		<i>ANTI DUST</i>	ALUMINIUM
PLAST-3466		<i>SHOCK ABSORBER GUIDE</i>	PLASTIC









VOLCANO

70 Anox

CODE	DRAWING	DESCRIPTION	MATERIAL
 SUPRIMO		<i>DOUBLE ROLLER (160 Kg)</i>	<i>ITALIAN NYLON</i>
 SUPRIMO		<i>SINGLE ROLLER (80Kg)</i>	<i>ITALIAN NYLON</i>
 SUPRIMO		<i>ROLLER FOR FLY SCREEN</i>	<i>ITALIAN NYLON</i>
 SUPRIMO		<i>ROUND COVER CAP</i>	<i>PVC</i>
 SUPRIMO		<i>CORNER JOINT FOR FLY SCREEN</i>	<i>PVC</i>
PL-3465		<i>COVER CAPS</i>	<i>PVC</i>

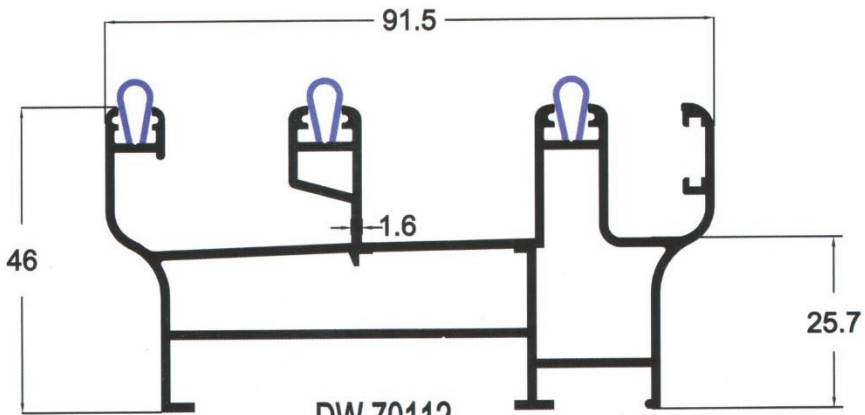
70 Anox

VOLCANO

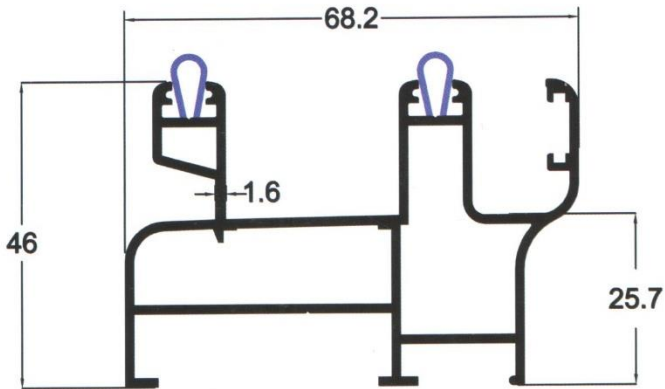
CODE	DRAWING	DESCRIPTION	MATERIAL
PB01		<i>BRUSH FOR DOOR 7*7MM</i>	<i>NYLON</i>
PB03		<i>BRUSH FOR DOOR 7*5MM</i>	<i>NYLON</i>
AVR.03		<i>GLASS GASKET 3MM</i>	<i>EPDM</i>
AVR.03'		<i>GLASS GASKET 3MM</i>	<i>EPDM</i>
AVR.04		<i>GLASS GASKET 4MM</i>	<i>EPDM</i>
AVR.05		<i>GLASS GASKET 5MM</i>	<i>EPDM</i>
TOURINO 312		<i>ANOX GASKET</i>	<i>EPDM</i>
ST.304		<i>ANOX BAR</i>	<i>STAINLESS</i>

VOLCANO

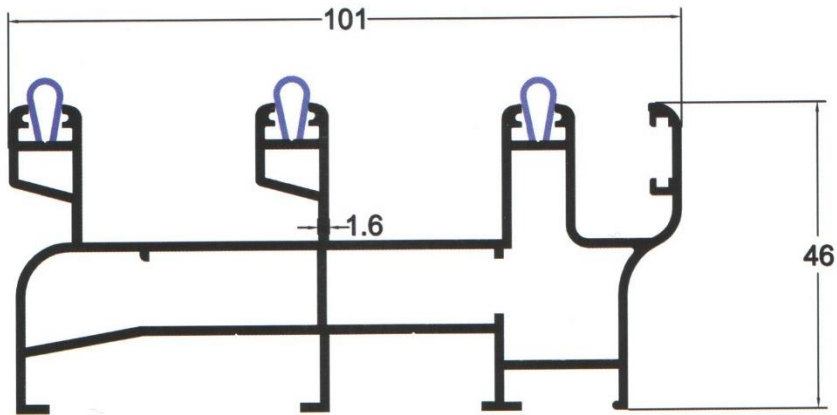
70 Anox



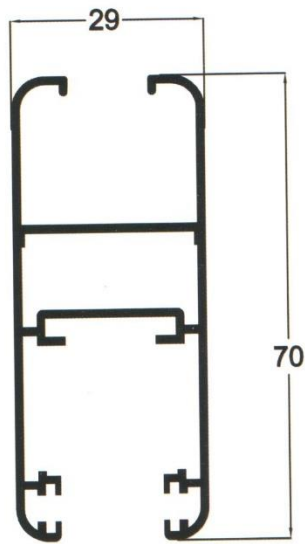
DW 70112
1.412 Kg/m.



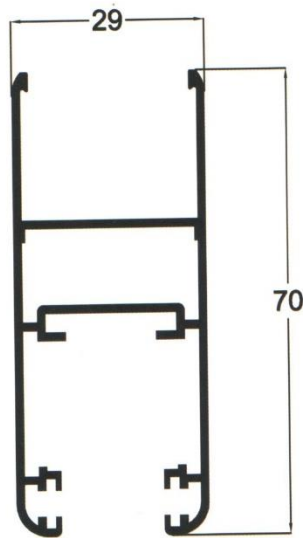
DW 70113
1.261 Kg/m.



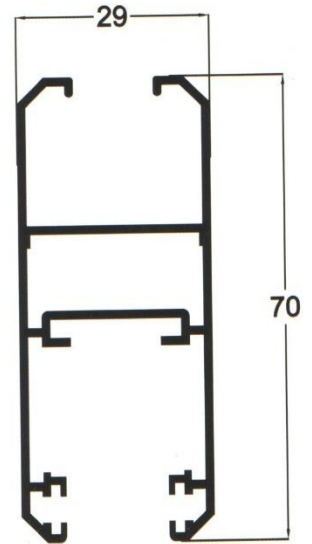
DW 70114
1.602 Kg/m.



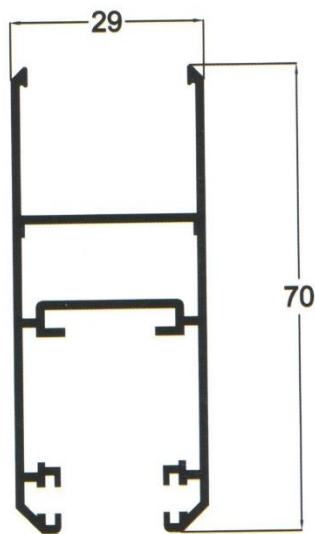
DW 70200
0.878 Kg/m.



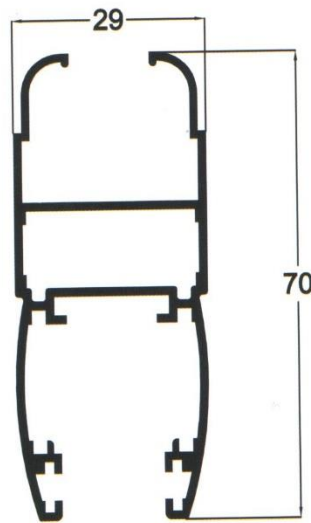
DW 70201
0.841 Kg/m.



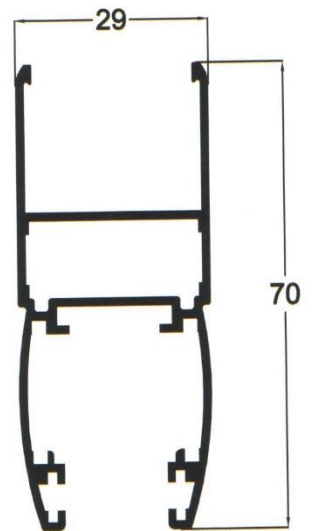
DW 70202
0.871 Kg/m.



DW70203
0.834 Kg/m.



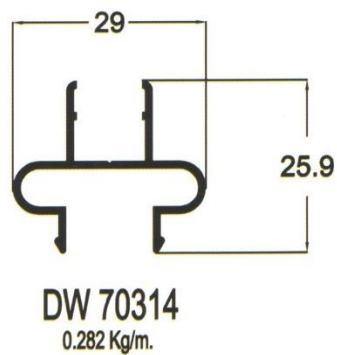
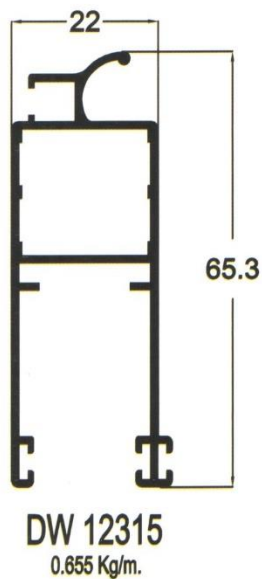
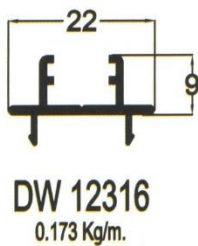
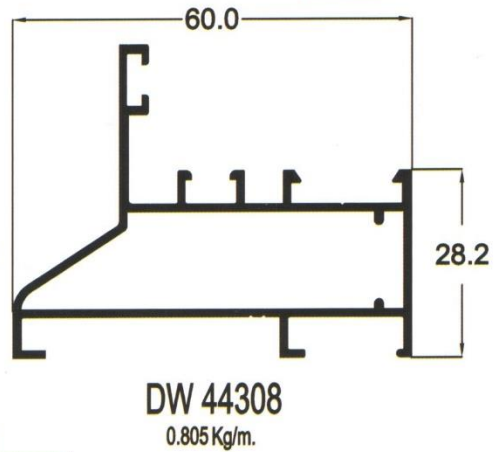
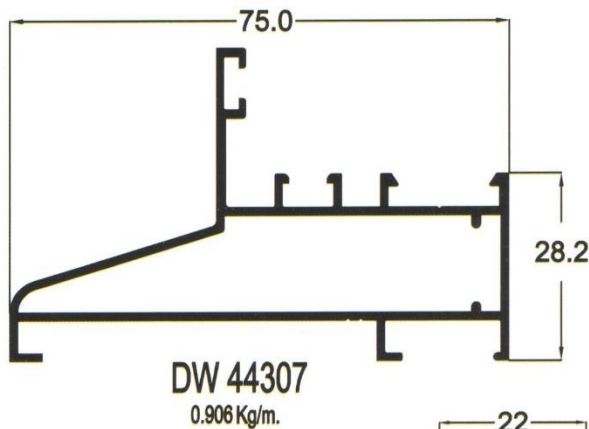
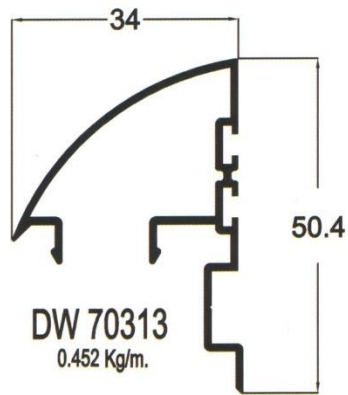
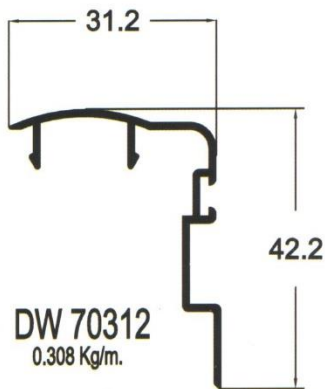
DW70204
0.857 Kg/m.



DW70205
0.830 Kg/m.

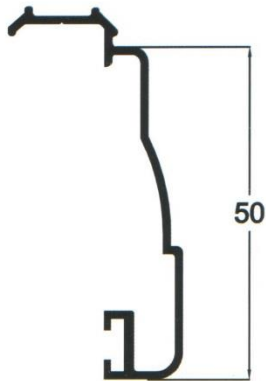
VOLCANO

70 Anox

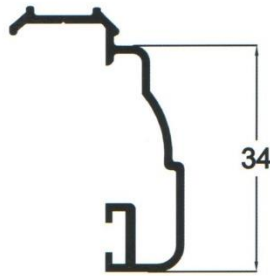


70 Anox

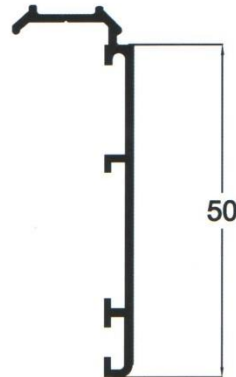
VOLCANO



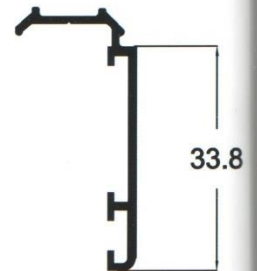
DW 12300
0.369 Kg/m.



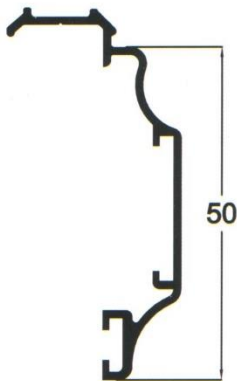
DW 12301
0.295 Kg/m.



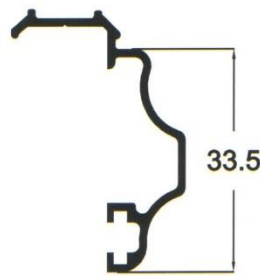
DW 12302
0.307 Kg/m.



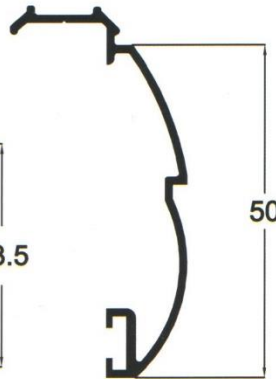
DW 12303
0.237 Kg/m.



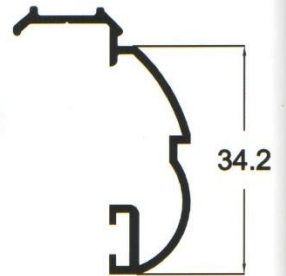
DW 12304
0.357 Kg/m.



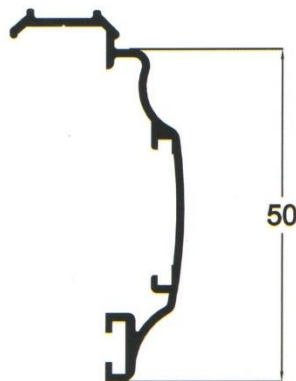
DW 12305
0.280 Kg/m.



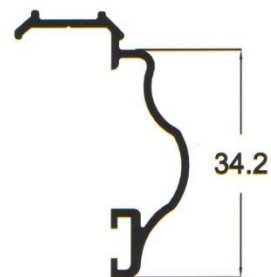
DW 12308
0.365 Kg/m.



DW 12309
0.298 Kg/m.



DW 12310
0.355 Kg/m.

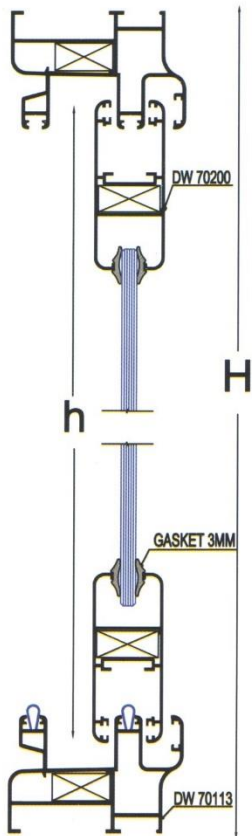


DW 12311
0.273 Kg/m.

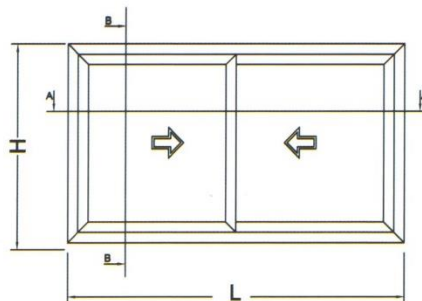
VOLCANO

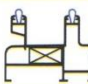
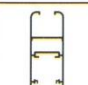
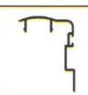
70 Anox

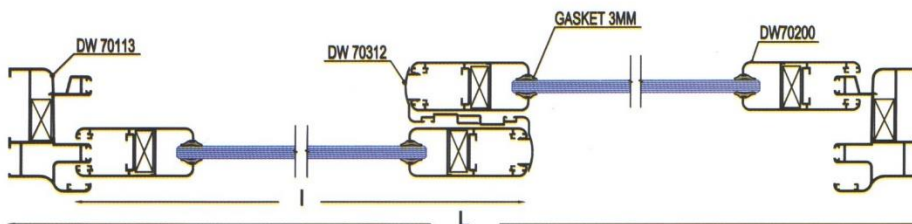
Fenêtre Coulissante 2 Feuilles



COUPE B - B



CUTTING LIST			
Shape	Prof. No	QTY.	CUTTING LENGTH (mm)
	DW 70113	2	L
		2	H
	DW 70200	4	$\frac{L-7}{2}$
		4	H - 74
	DW70312	2	H - 74
GLASS		2	$\frac{L - 218}{2}$
			H - 180

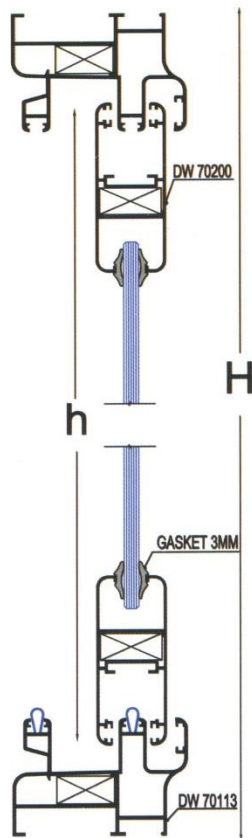


COUPE A - A

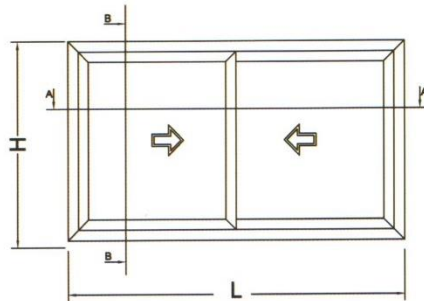
70 Anox

VOLCANO

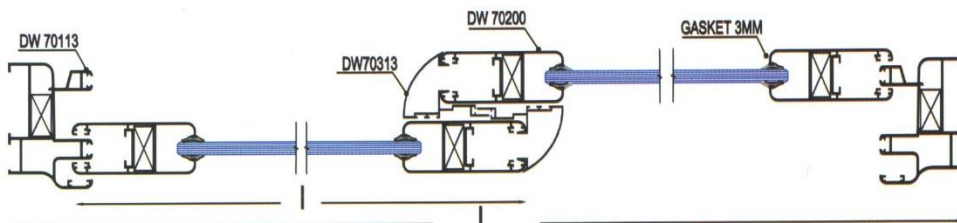
Fenêtre Coulissante 2 Feuilles



COUPE B - B



CUTTING LIST			
Shape	Prof. No	QTY.	CUTTING LENGTH (mm)
	DW 70113	2	L
		2	H
	DW 70200	4	$\frac{L-27}{2}$
		4	H - 74
	DW 70313	2	H - 74
GLASS		2	$\frac{L-218}{2}$
			H - 180

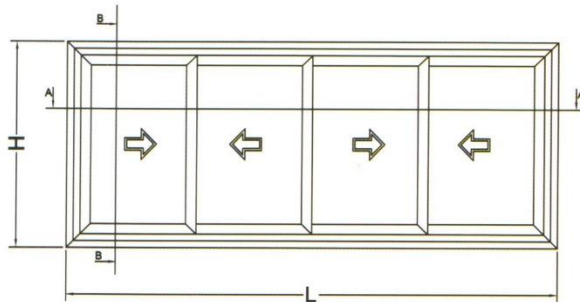
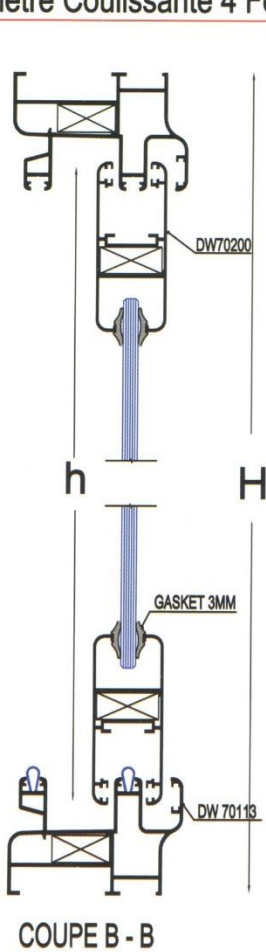


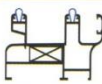
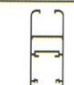

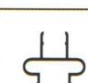
COUPE A - A

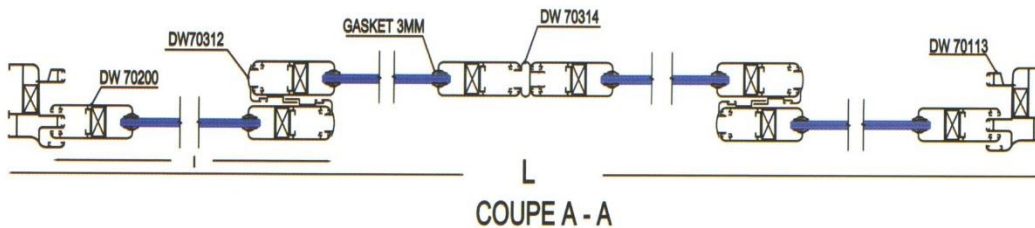
VOLCANO

70 Anox

Fenêtre Coulissante 4 Feuilles



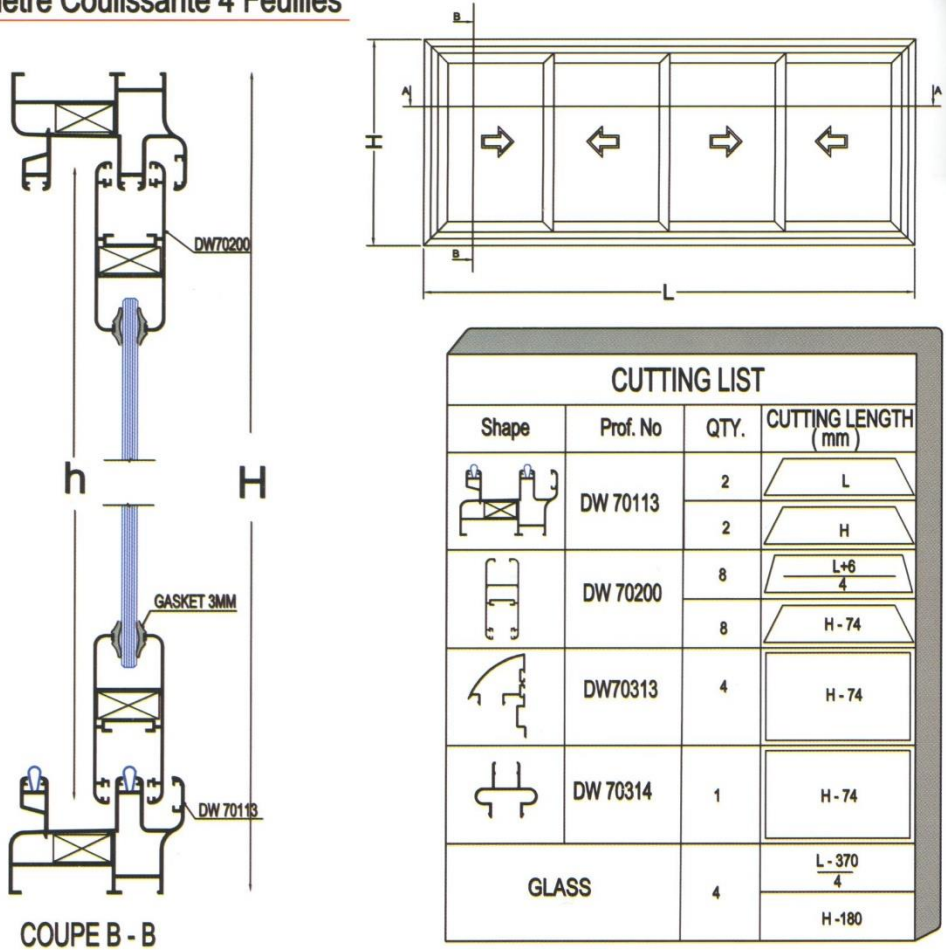
CUTTING LIST			
Shape	Prof. No	QTY.	CUTTING LENGTH (mm)
	DW 70113	2	L
		2	H
	DW 70200	8	$\frac{L+52}{4}$
		8	H - 74
	DW 70312	4	H - 74
	DW 70314	1	H - 74
GLASS		4	$\frac{L - 370}{4}$
			H - 180



70 Anox

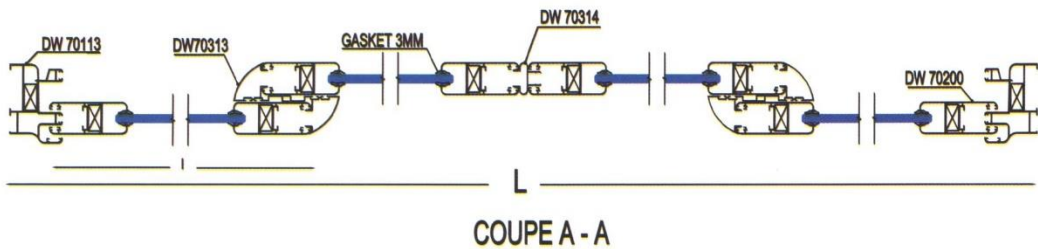
VOLCANO

Fenêtre Coulissante 4 Feuilles

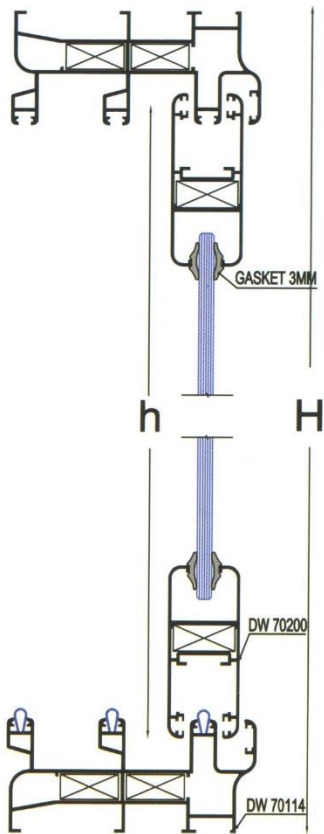


VOLCANO

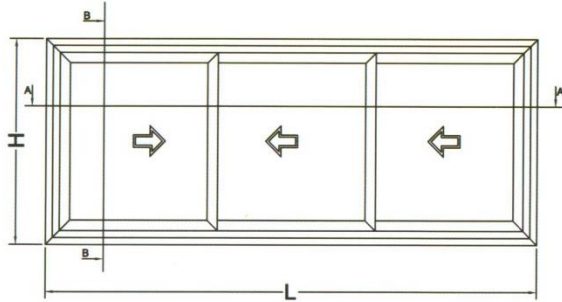
70 Anox

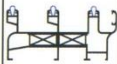




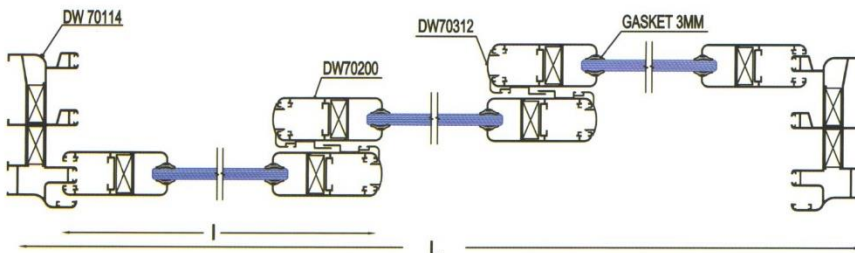
Fenêtre Coulissante 3 Feuilles



COUPE B - B



CUTTING LIST			
Shape	Prof. No	QTY.	CUTTING LENGTH (mm)
	DW 70114	2	L
		2	H
	DW 70200	6	$\frac{L+54}{3}$
		6	H - 74
	DW 70312	4	H - 74
GLASS		3	$\frac{L - 261}{3}$
			H - 180

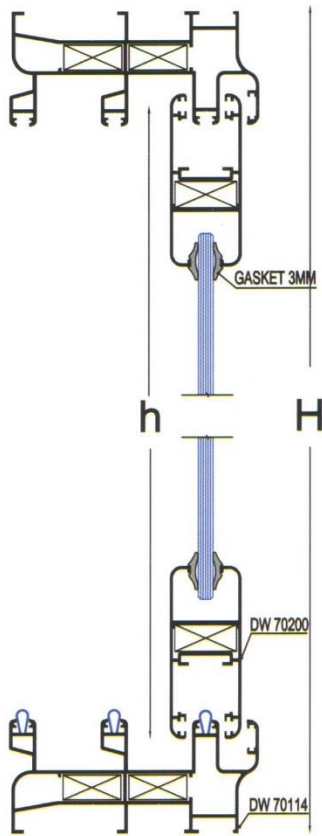


COUPE A - A

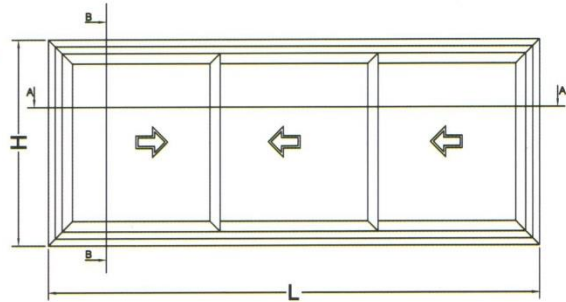
70 Anox

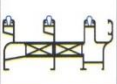


VOLCANO

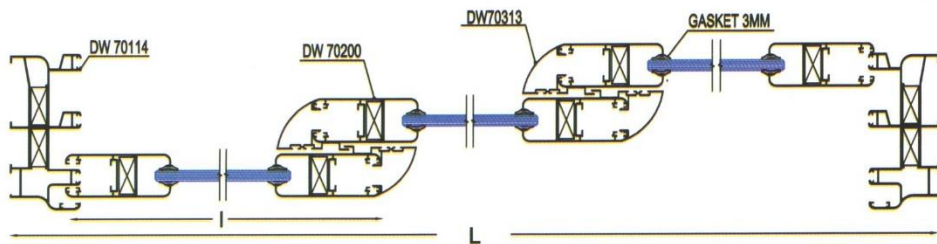
Fenêtre Coulissante 3 Feuilles



COUPE B - B



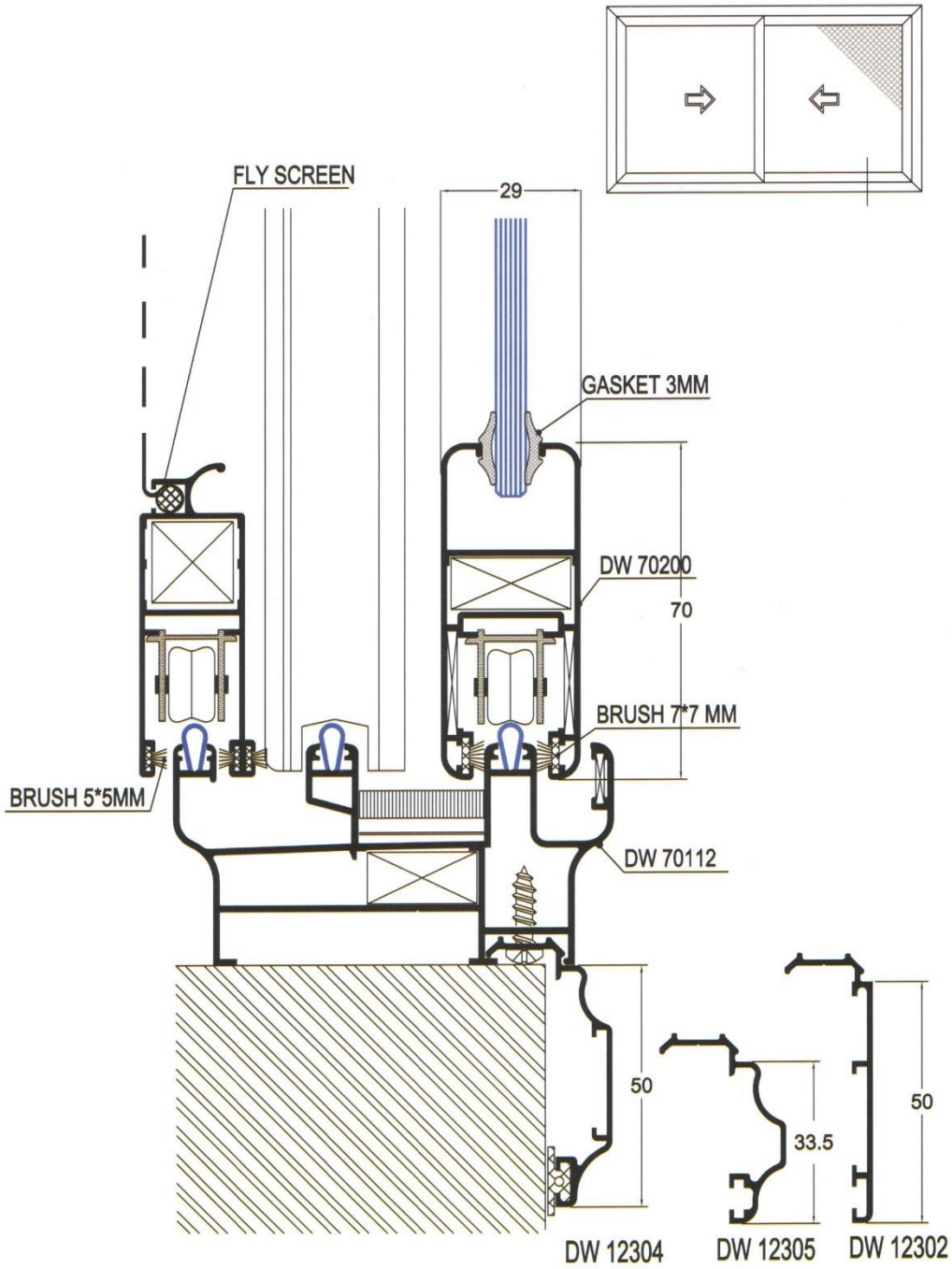
CUTTING LIST			
Shape	Prof. No	QTY.	CUTTING LENGTH (mm)
	DW 70114	2	L
		2	H
	DW 70200	6	$\frac{L+42}{3}$
		6	H - 74
	DW70313	4	H - 74
GLASS		3	$\frac{L - 281}{3}$
			H - 180



COUPE A - A

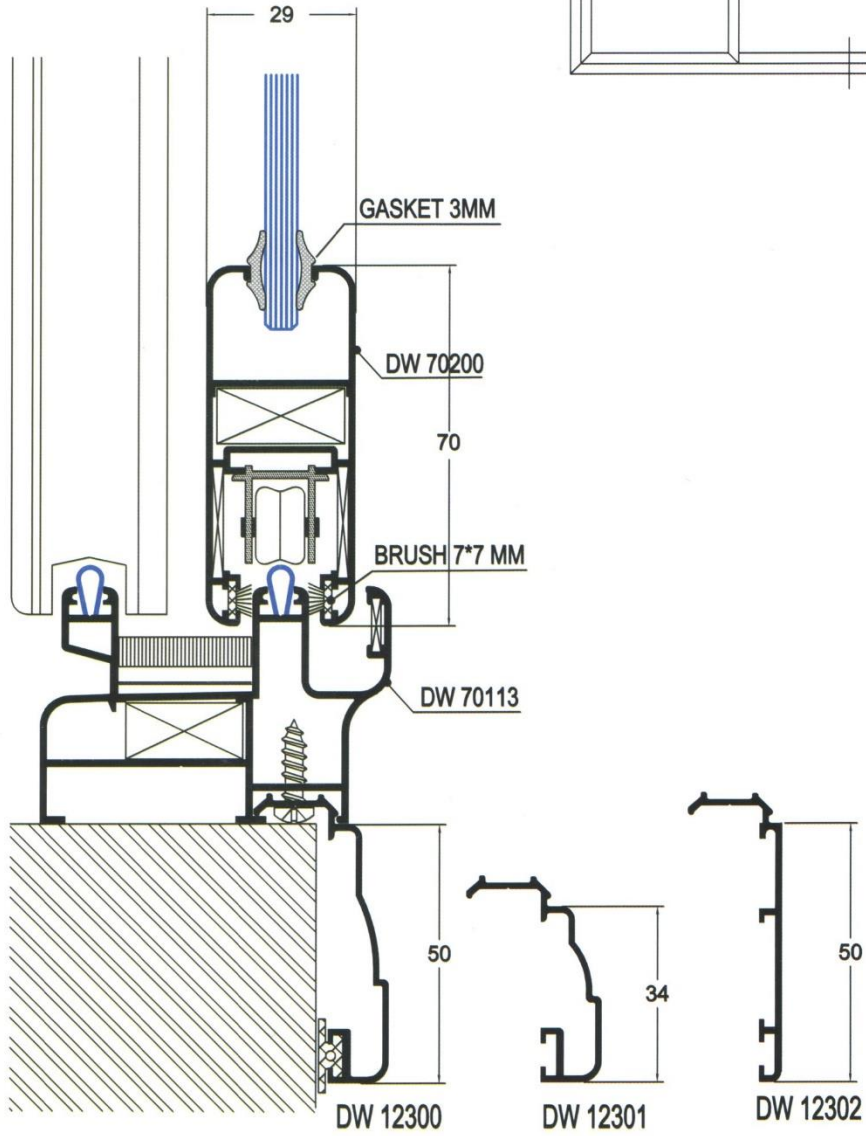
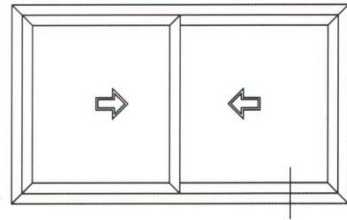
VOLCANO

70 Anox



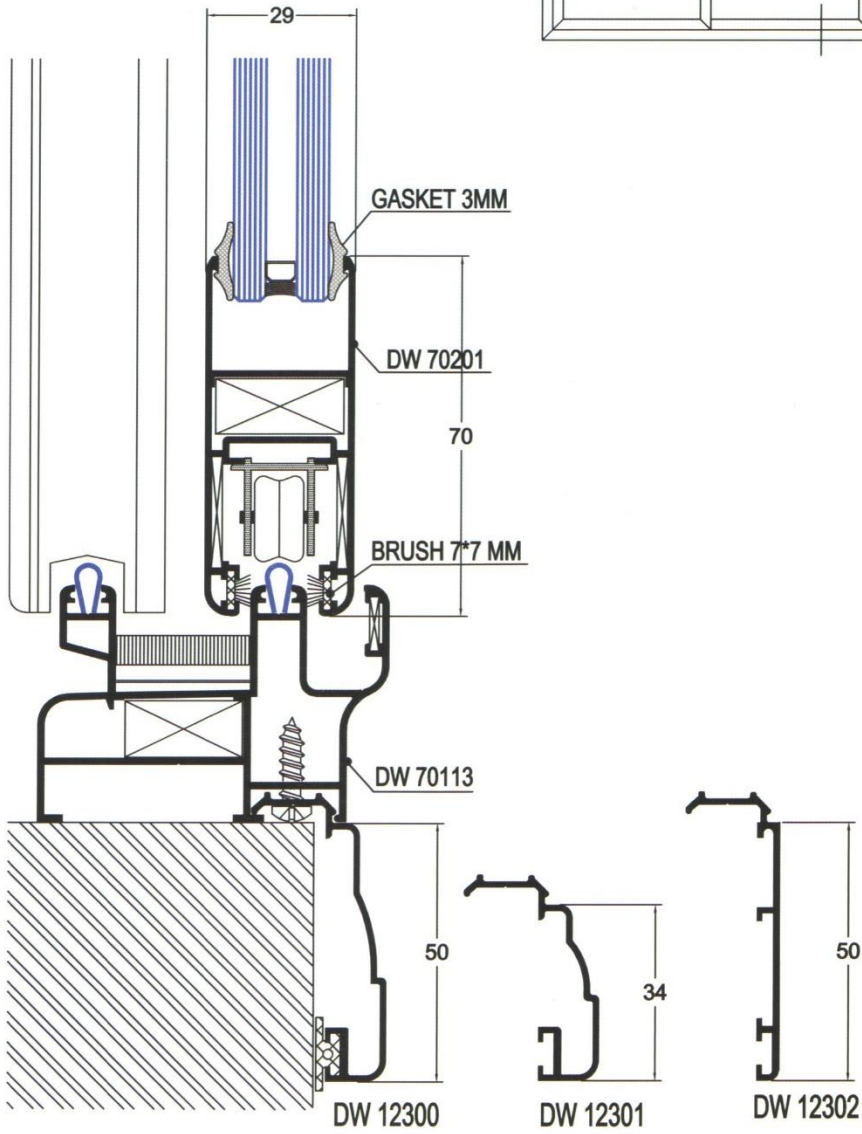
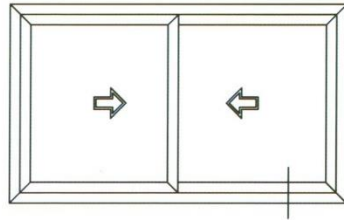
70 Anox

VOLCANO

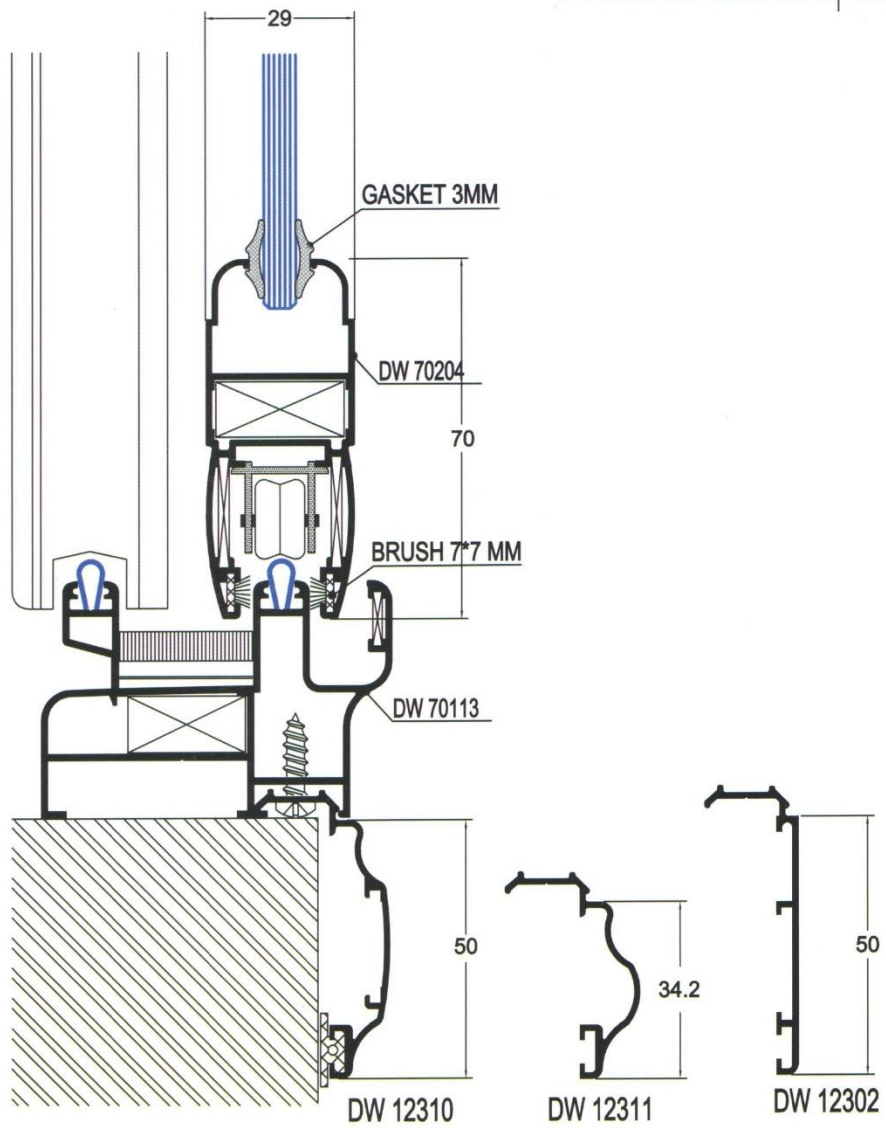
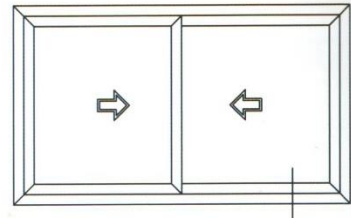


VOLCANO

70 Anox

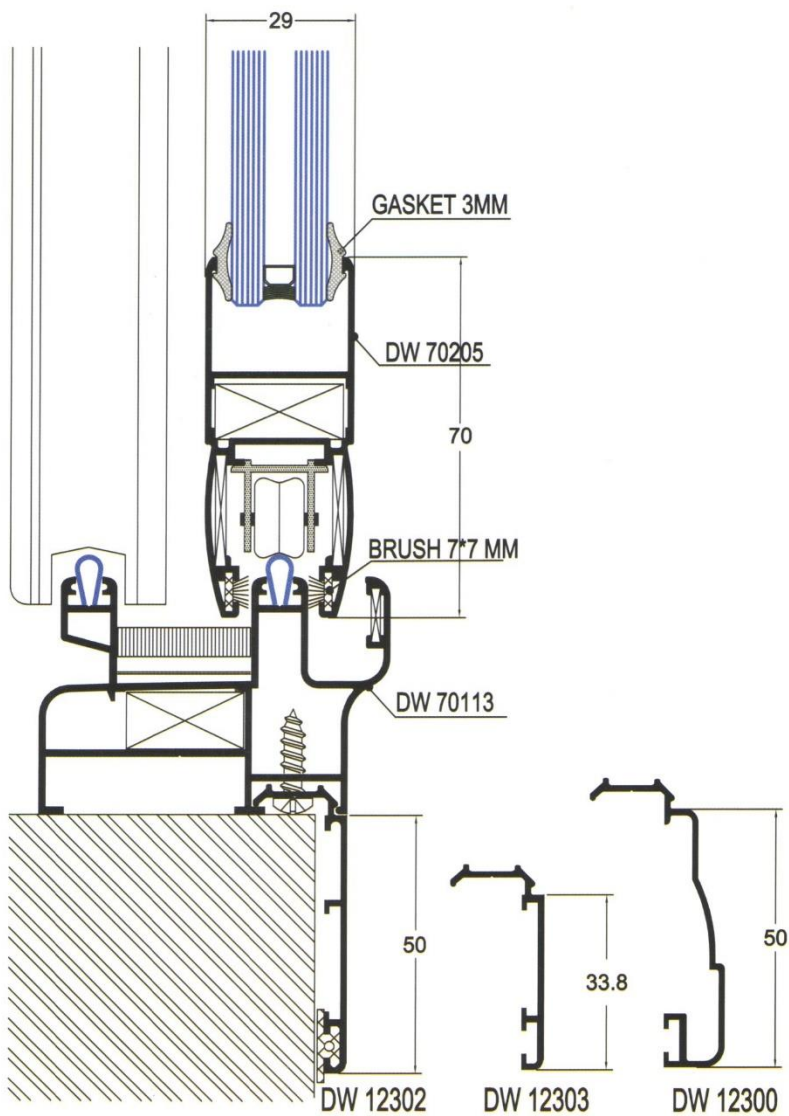
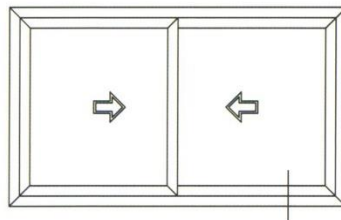


70 Anox
VOLCANO



VOLCANO

70 Anox

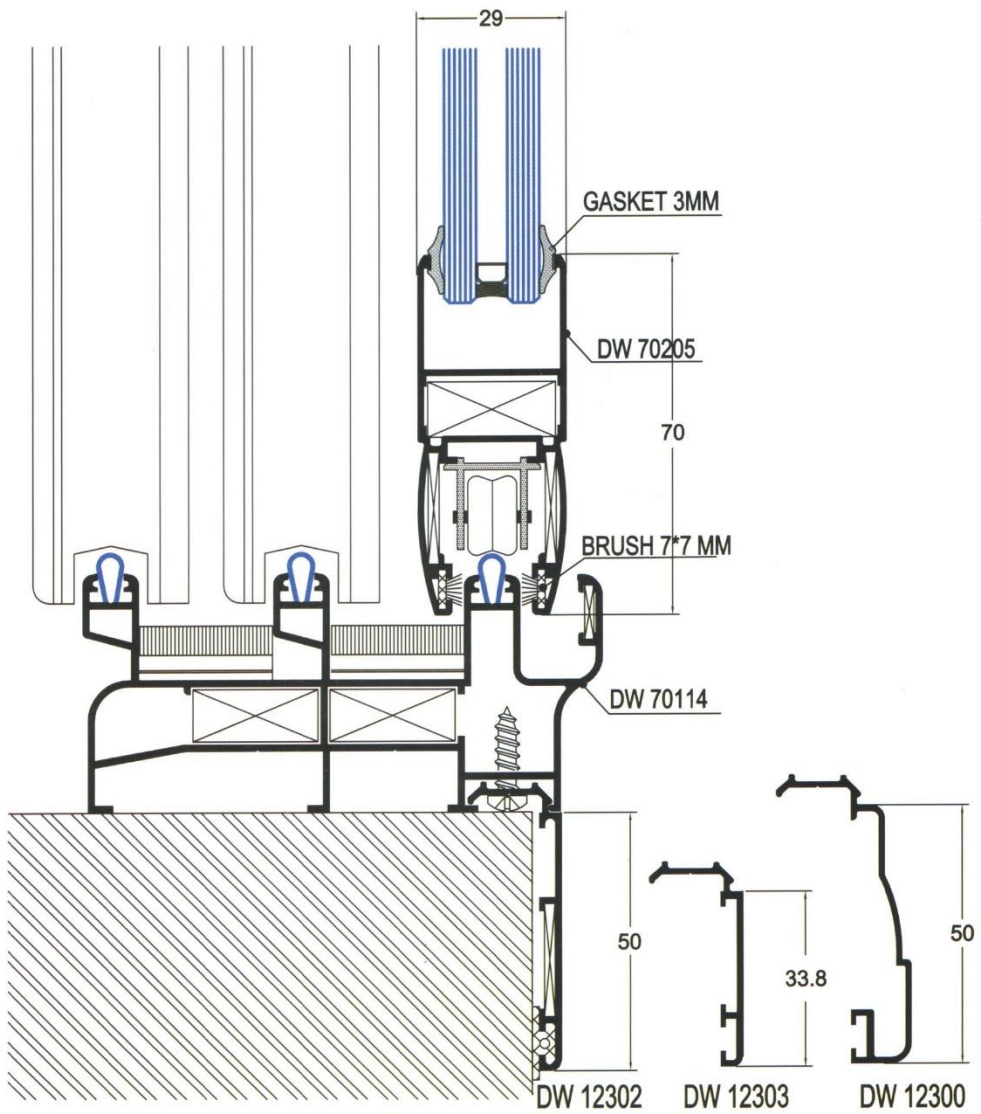
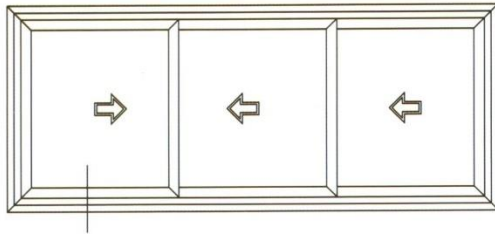


70 Anox

VOLCANO

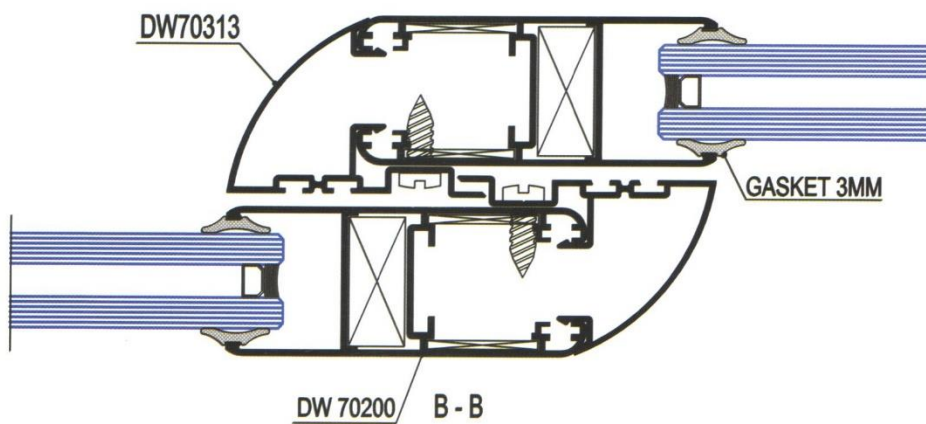
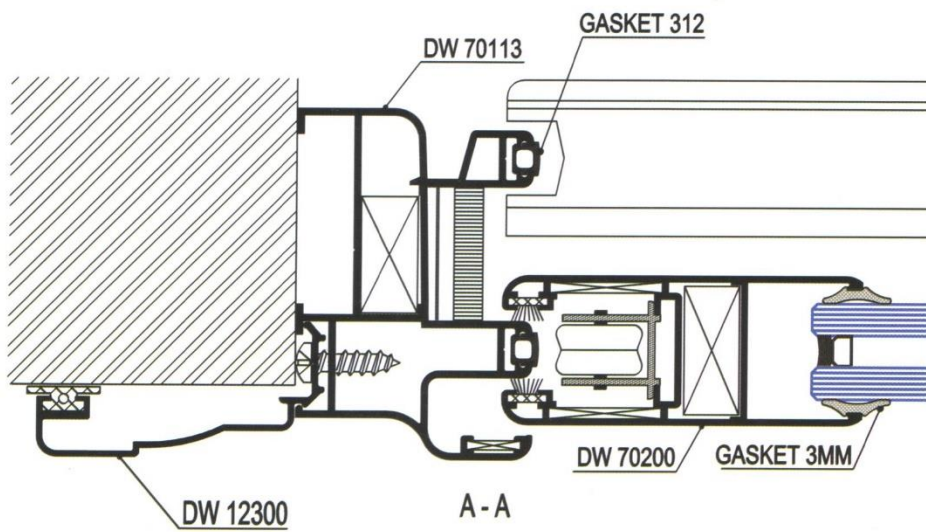
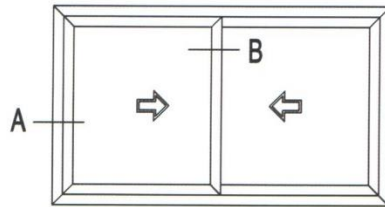
EXTRU COAT 21





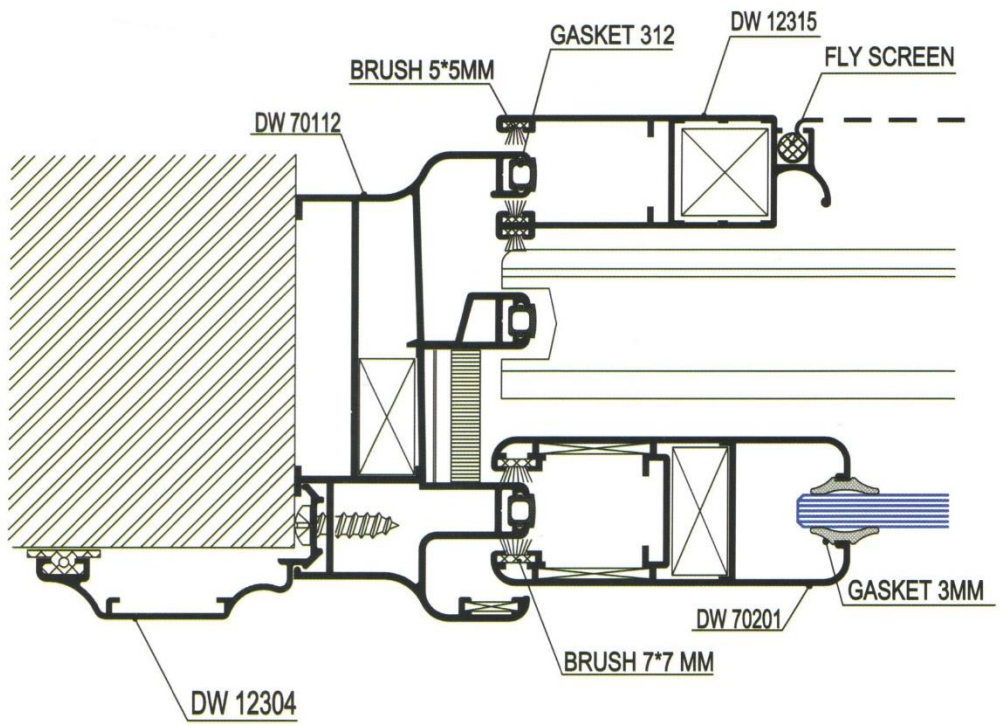
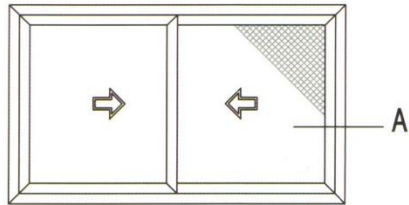
VOLCANO

70 Anox



70 Anox

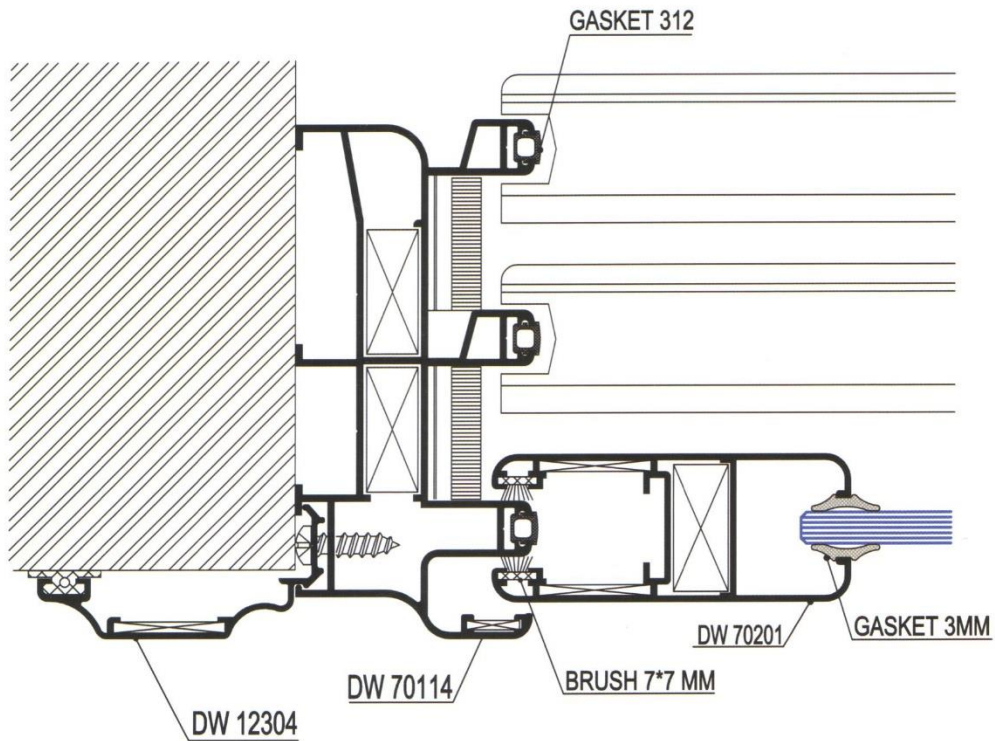
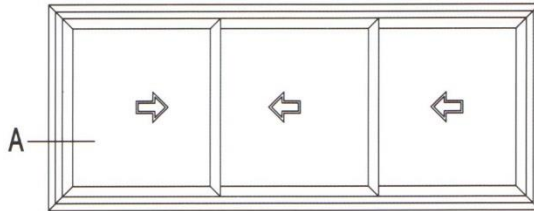
VOLCANO



A - A

VOLCANO

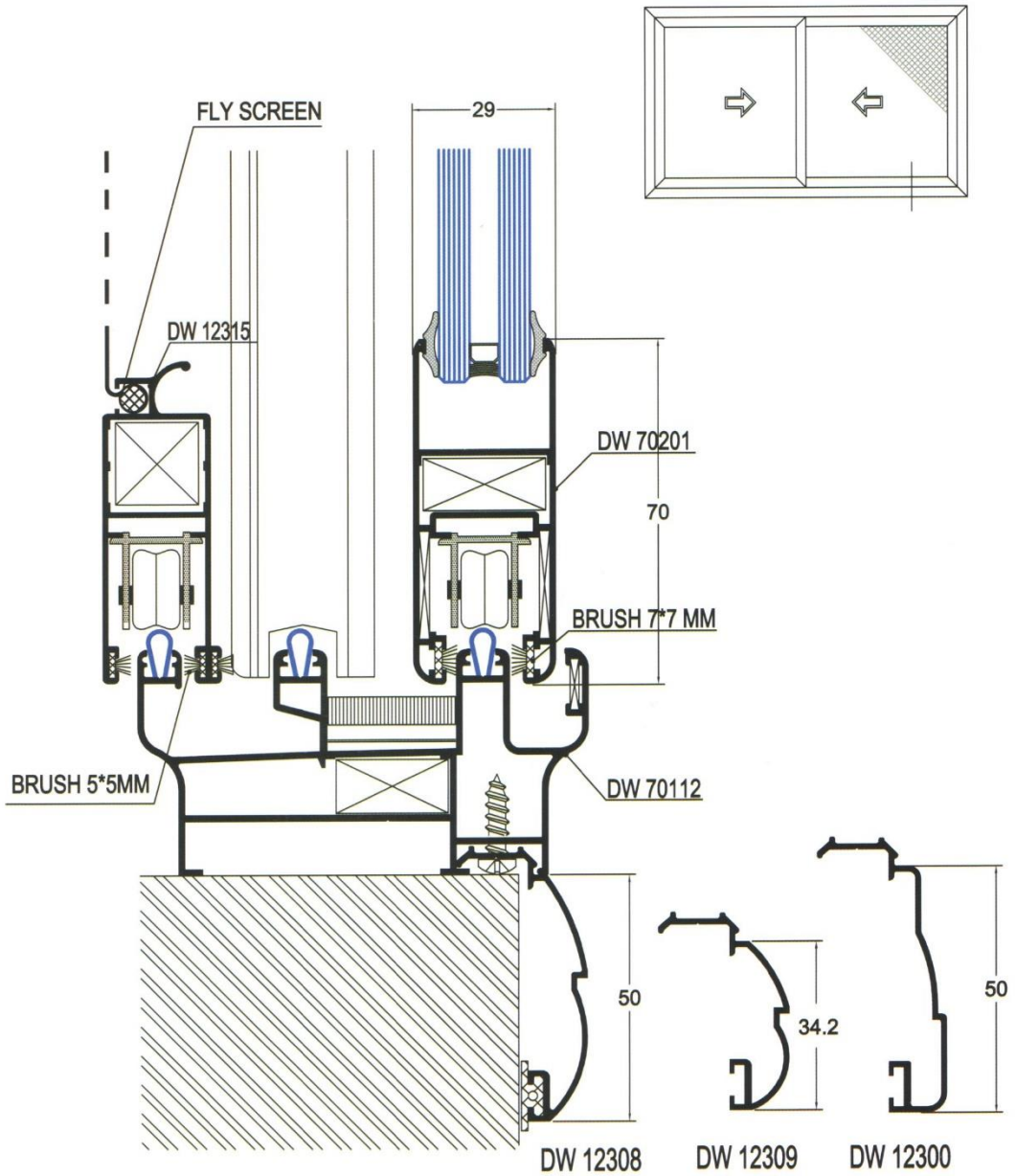
70 Anox



A - A

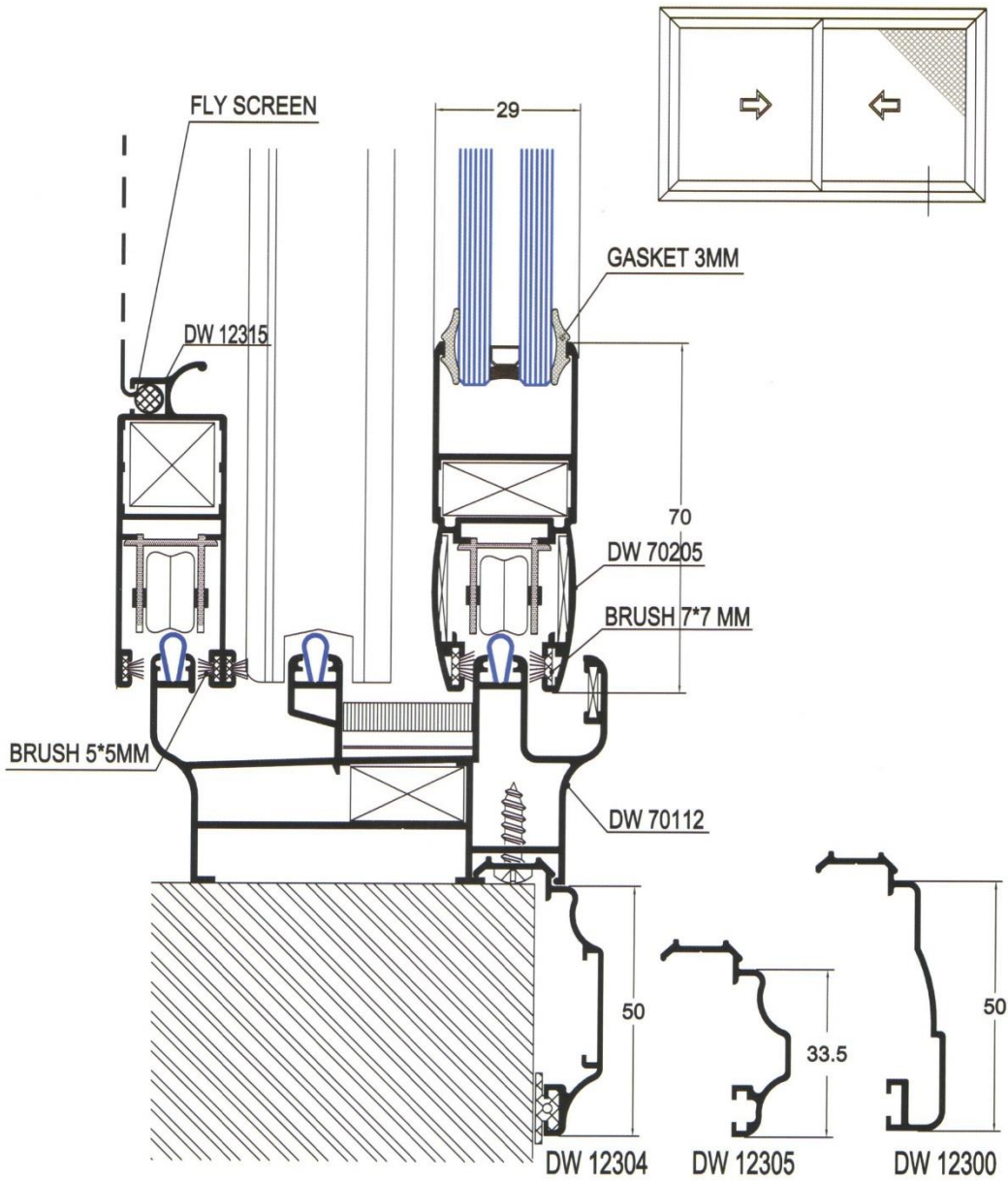
70 Anox

VOLCANO



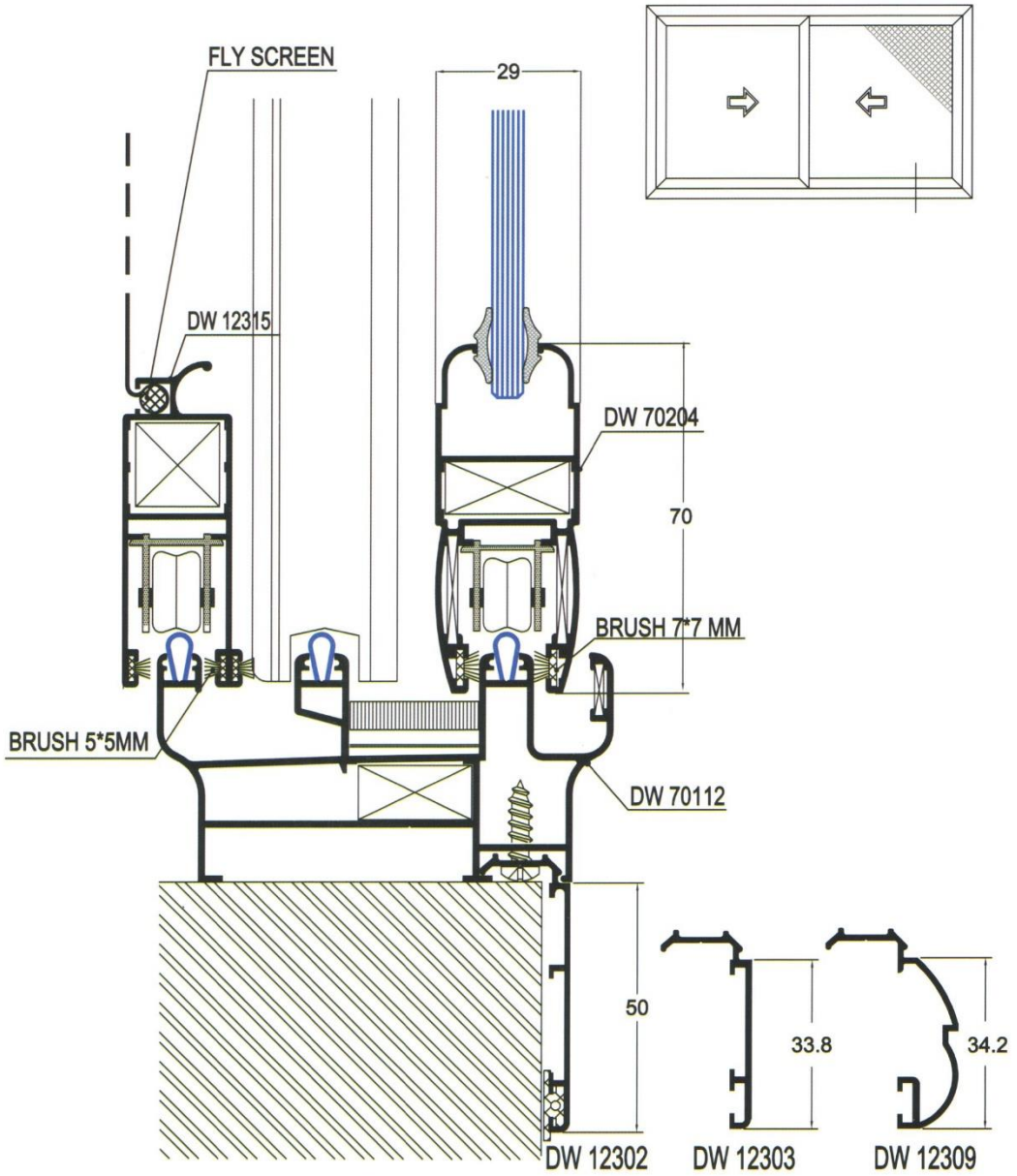
VOLCANO

70 Anox



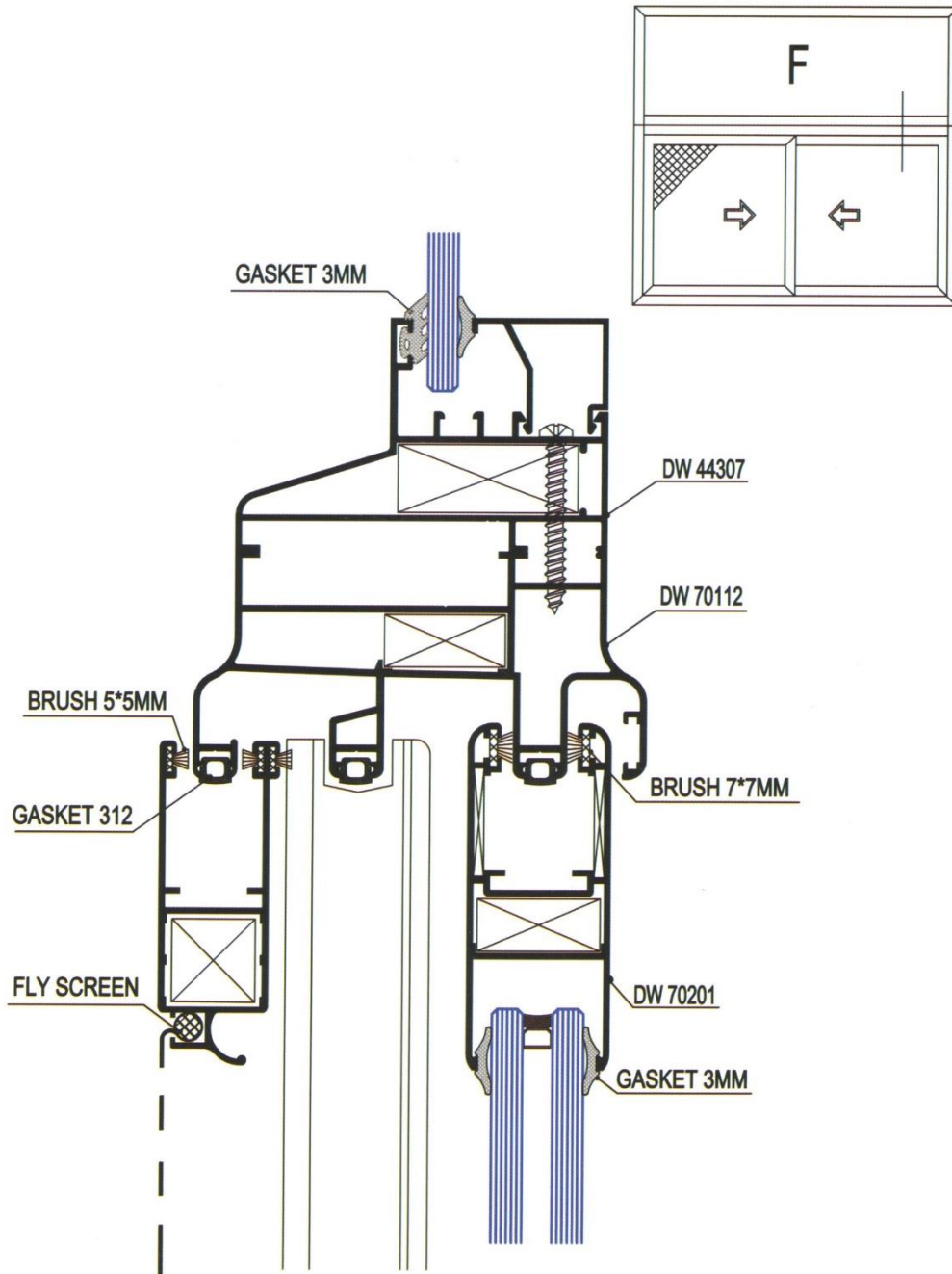
70 Anox

VOLCANO

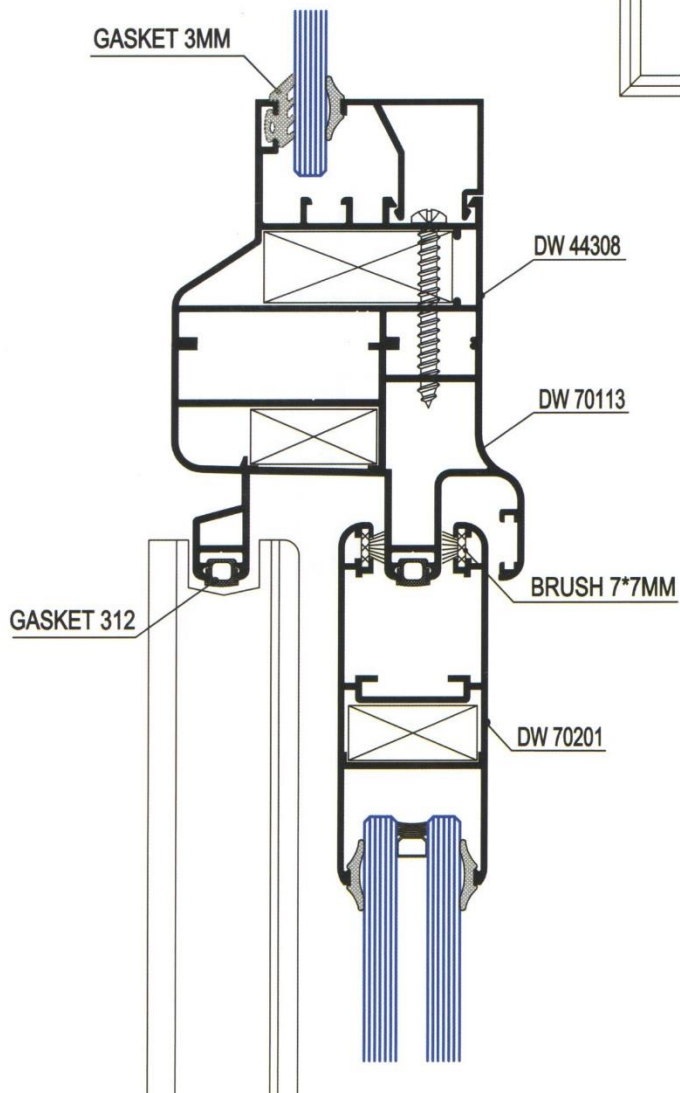
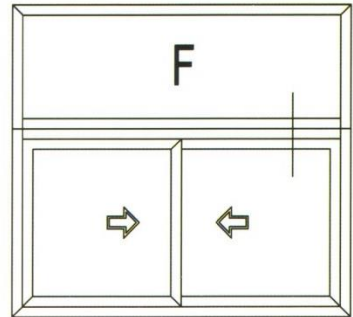


VOLCANO

70 Anox

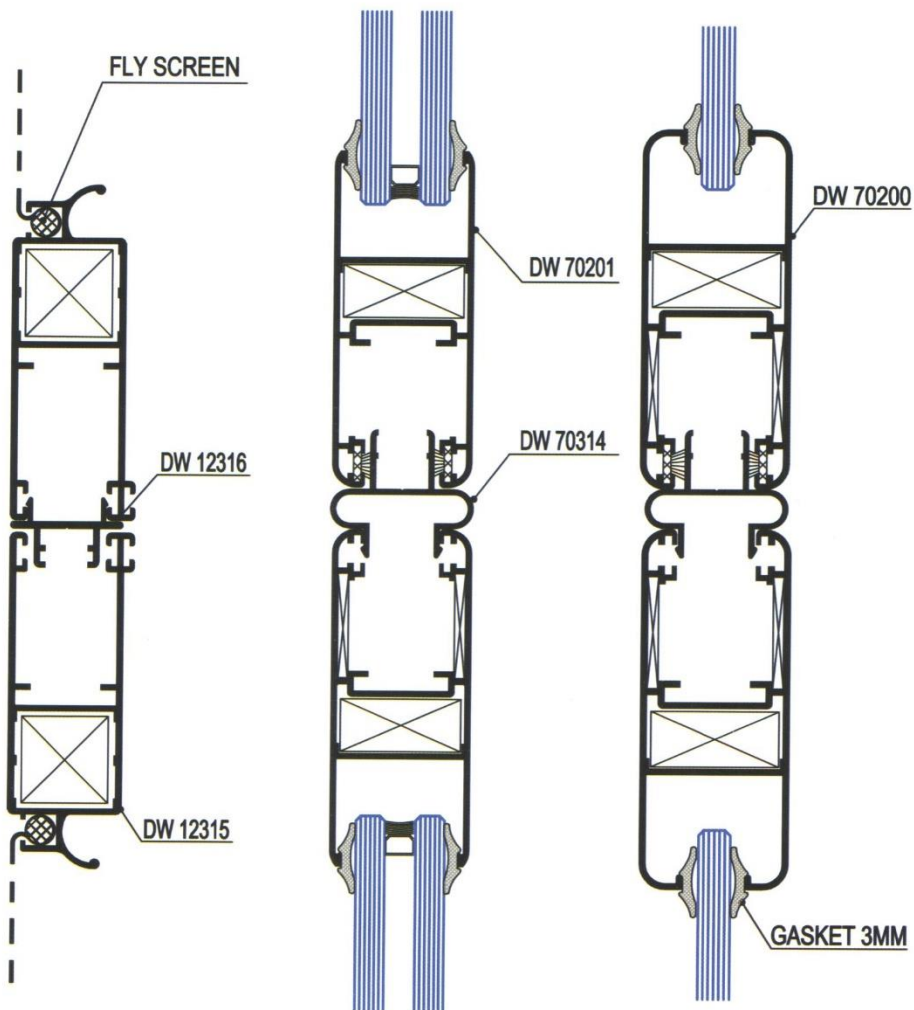
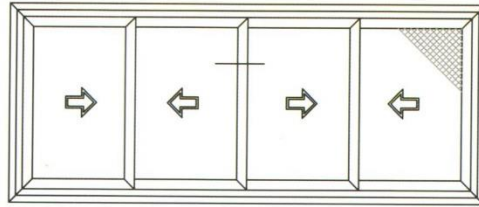


70 Anox
VOLCANO



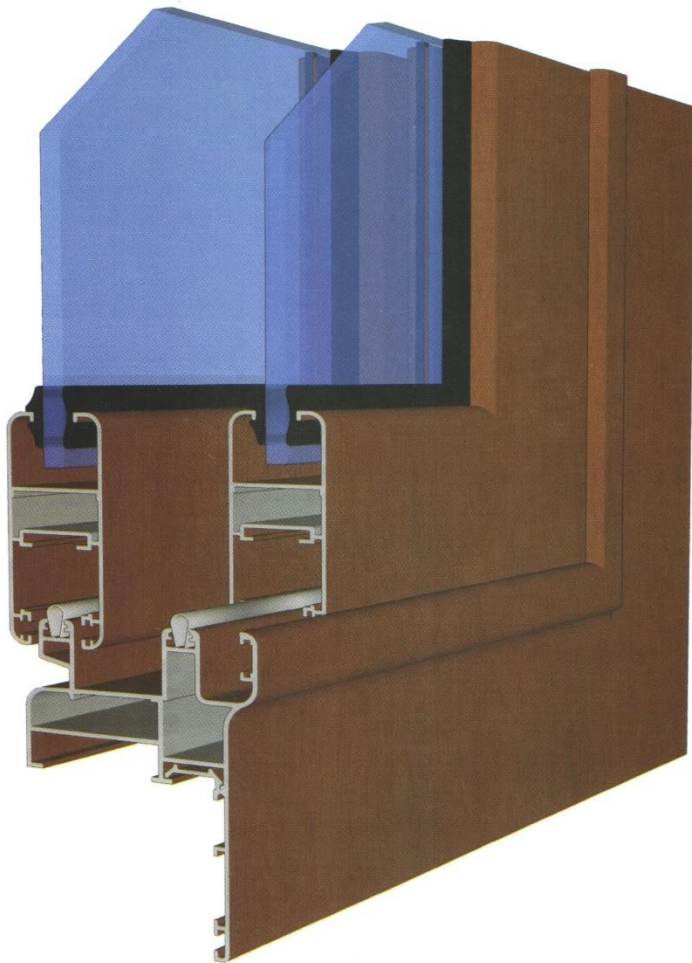
VOLCANO

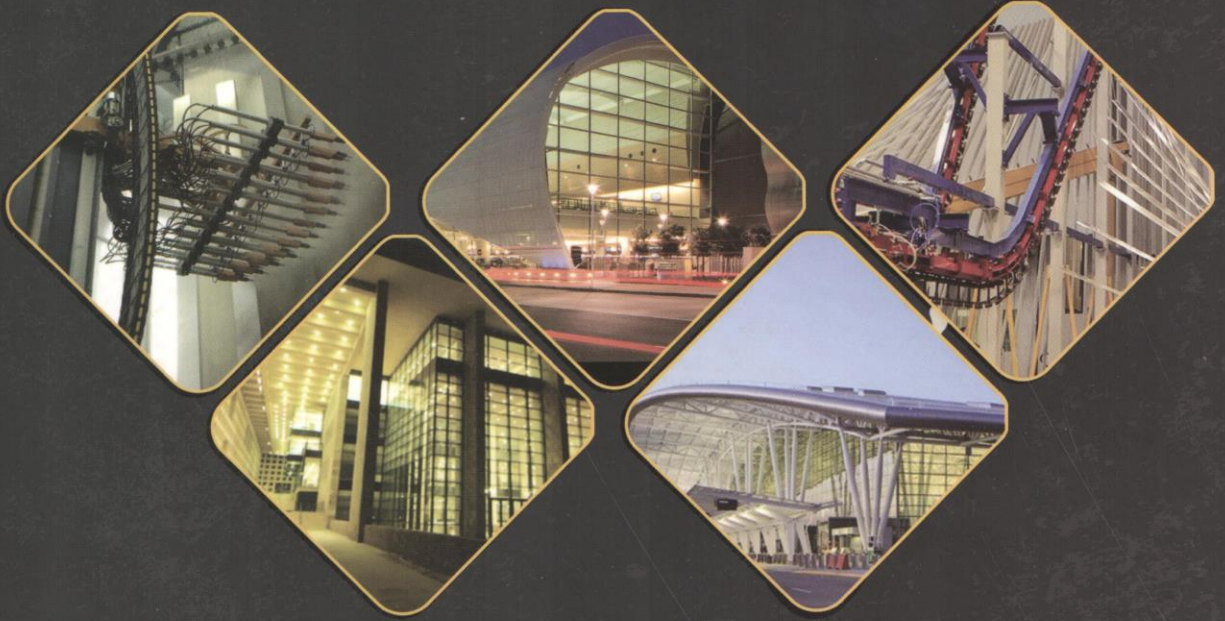
70 Anox



70 Anox

VOLCANO





موزع معتمد لمنتجات الدوليه ٢١

Authorized distributor for Dawlia 21 products

Piece Z13-T15 - Engineering Square
Northern Expansions of the industrial Zone
6 of October City - Egypt

0122 9500 603
0120 588 399 5

القطعه زد ١٣ و تي ١٥ المطور الصناعي
الامتداد الشمالي المنطقه الصناعيه ،
السادس من اكتوبر - مصر

٠١٢٢٩٥٠٠ ٦٠٣
٠١٢٠٥٨٨ ٣٩٩ ٥