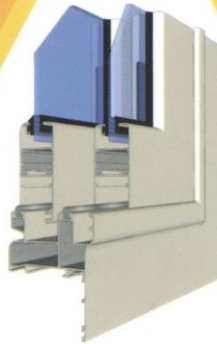




EXTRUCOAT 21 For Extruding Aluminum Profiles

اكستروكوت 21 لسحب مقاطع الالومنيوم

30 years / 25 years / 15 years / 10 years warranty



**VOLCANO
120 Anox**



ALCEO VOLCANO 120 Anox

INDEX

NUMERIQUE

■P... 2-5	Certificates.
■P... 6-7	Technical Specification.
■P... 8-10	Profiles List
■P... 11-13	Accessories
■P... 14-17	Profiles
■P... 18-23	Cutting List
■P... 24-34	Sections
■P... 35-36	3D Drawings



CERTIFICATE OF REGISTRATION



This is to certify that the management system of:
Al Dawlia 21 for Producing Coloring Aluminium Profiles
 Main Site: Third Industrial Zone - Piece 576 - 6th October City - Egypt
 has been registered by Intertek as conforming to the requirements of:
ISO 9001:2015
 The management system is applicable to:
 Treatment, coating and wholesale of aluminum profiles.

Certificate Number: DBY060747-DMS-01
 Initial Certification Date: 01 December 2010
 Date of Certification Decision: 10 March 2018
 Issuing Date: 10 March 2018
 Valid Until: 30 November 2019



Calin Moldovean

Calin Moldovean
 President, Business Assurance
 Intertek Certification Limited, 10A Victory Park, Victory Road, Derby DE24 8ZF, United Kingdom
 Intertek Certification Limited is a UKAS accredited body under schedule of accreditation no. 014.



In the issuance of this certificate, Intertek assumes no liability to any party other than to the Client, and their only in accordance with the agreed upon Certification Agreement. This certificate's validity is subject to the organization maintaining their system in accordance with Intertek's requirements for system certification. Validity may be confirmed via email at certificate.validation@intertek.com or by scanning the code to the right with a smartphone. The certificate remains the property of Intertek, to whom it must be returned upon request.



CERTIFICATE OF REGISTRATION



This is to certify that the management system of:
Al Dawlia 21 for Producing Coloring Aluminium Profiles
 Main Site: Third Industrial Zone - Piece 576 - 6th October City - Egypt
 has been registered by Intertek as conforming to the requirements of:
ISO 14001:2015
 The management system is applicable to:
 Treatment, coating and wholesale of aluminum profiles.

Certificate Number: DBY060747-EMS-01
 Initial Certification Date: 01 December 2010
 Date of Certification Decision: 10 March 2018
 Issuing Date: 10 March 2018
 Valid Until: 30 November 2019



Calin Moldovean

Calin Moldovean
 President, Business Assurance
 Intertek Certification Limited, 10A Victory Park, Victory Road, Derby DE24 8ZF, United Kingdom
 Intertek Certification Limited is a UKAS accredited body under schedule of accreditation no. 014.



In the issuance of this certificate, Intertek assumes no liability to any party other than to the Client, and their only in accordance with the agreed upon Certification Agreement. This certificate's validity is subject to the organization maintaining their system in accordance with Intertek's requirements for system certification. Validity may be confirmed via email at certificate.validation@intertek.com or by scanning the code to the right with a smartphone. The certificate remains the property of Intertek, to whom it must be returned upon request.



CERTIFICATE OF REGISTRATION



This is to certify that the management system of:
Al Dawlia 21 for Producing Coloring Aluminium Profiles
 Main Site: Third Industrial Zone - Piece 576 - 6th October City - Egypt
 has been registered by Intertek as conforming to the requirements of:
OHSAS 18001:2007
 The management system is applicable to:
 Treatment, coating and wholesale of aluminum profiles.

Certificate Number: DBY060747-OHSAS-01
 Initial Certification Date: 01 December 2010
 Date of Certification Decision: 01 November 2016
 Issuing Date: 02 November 2016
 Valid Until: 30 November 2019



Calin Moldovean

Calin Moldovean
 President, Business Assurance
 Intertek Certification Limited, 10A Victory Park, Victory Road, Derby DE24 8ZF, United Kingdom
 Intertek Certification Limited is a UKAS accredited body under schedule of accreditation no. 014.



In the issuance of this certificate, Intertek assumes no liability to any party other than to the Client, and their only in accordance with the agreed upon Certification Agreement. This certificate's validity is subject to the organization maintaining their system in accordance with Intertek's requirements for system certification. Validity may be confirmed via email at certificate.validation@intertek.com or by scanning the code to the right with a smartphone. The certificate remains the property of Intertek, to whom it must be returned upon request.



VOLCANO

120 Anox





Quali Middle East Association

MEMBERSHIP CERTIFICATION

This is to certify that

EXTRUCOAT 21
6TH OF OCTOBER CITY, GIZA, EGYPT

Membership Ref.: A043

is a member of the Quali Middle East Association and is a signatory to the policies and procedures related to the membership of the Association.

Period of validity of the certificate: until 31.12.2018

Dubai, 31 December 2017

QUALI MIDDLE EAST ASSOCIATION

Nasir Fahmeed
General Secretary

Mailing address: Quali Middle East Association
c/o Dubai Association Centre, ESO-24, T-7, 19th Floor
Sheikh Rashid Tower, Dubai World Trade Centre
Dubai, United Arab Emirates

P.O. Box 23070, Dubai-UAE
Phone: 7088 309 4 971+
E-Mail: admin@qualimiddleeast.com
Internet: www.qualimiddleeast.com

QMEA License No: DAC-0039 issued by Dubai Chamber of Commerce & Industry

**Authorization
to use the quality sign**



This is to certify that

EXTRUCOAT 21 FOR EXTRUDING ALUMINUM PROFILES

Piece Z 3-T 5, Engineering Square
Northern Expansions Industrial Zones
EG 566 6th of October City

Licence number: 1604

is authorized to use the quality sign which is shown above according to the REGULATIONS FOR THE USE OF THE QUALICOAT QUALITY SIGN FOR PAINT, LACQUER AND POWDER COATINGS ON ALUMINIUM FOR ARCHITECTURAL APPLICATIONS.

Date of issue of the licence: 11.08.2017
Period of validity of the licence: until 31.12.2018

Zurich, 3 October 2017

QUALICOAT

Mohammed C. Panam
President

CERTIFICATION BODY

Josef Schoppig
AC-Fiduciaire SA



Mailing address
Q. ALICOAT, P.O. Box 507, CH-07 Zurich
Domicile
Q. ALICOAT c/o AC-Fiduciaire SA, T. distrasse, CH-00 Zurich

Phone 0 3 305 0 70 7
Fax 0 3 305 0
E-mail info.qualicoat.net
Internet www.qualicoat.net

120 Anox

VOLCANO





Certificate of Approval

Extrucoat 21

is certified as an Approved Applicator to coat
Jotun Facade
a product from Jotun Powder Coatings

This Company fulfils the requirements set by Jotun Powder Coatings for pre-treatment and application of powder coatings. These include having the necessary equipment, process controls and technical knowledge to comply with Jotun Powder Coatings' standards.



[Signature]
Authorized Signatory
Jotun Powder Coatings UAE (LLC)

January 01, 2018
(Certificate valid for one year from date above)



Certificate of Approval

Extrucoat 21

is certified as an Approved Applicator to coat
Jotun Super Durable
a product from Jotun Powder Coatings

This Company fulfils the requirements set by Jotun Powder Coatings for pre-treatment and application of powder coatings. These include having the necessary equipment, process controls and technical knowledge to comply with Jotun Powder Coatings' standards.



[Signature]
Authorized Signatory
Jotun Powder Coatings UAE (LLC)

January 01, 2018
(Certificate valid for one year from date above)



Certificate of Approval

Extrucoat 21

is certified as an Approved Applicator to coat
Jotun Durasol
a product from Jotun Powder Coatings

This Company fulfils the requirements set by Jotun Powder Coatings for pre-treatment and application of powder coatings. These include having the necessary equipment, process controls and technical knowledge to comply with Jotun Powder Coatings' standards.



[Signature]
Authorized Signatory
Jotun Powder Coatings UAE (LLC)

January 01, 2018
(Certificate valid for one year from date above)

VOLCANO

120 Anox





Interpon.
POWDER COATINGS

AkzoNobel

Interpon D Approved Applicator

Interpon D1000 Series

Extrucoat 21 for producing coloring aluminium profiles

3rd Industrial area, piece 576, 6th of October.
Giza, Egypt.

Has fulfilled AkzoNobel's tests and inspection regarding the pre-treatment, the application, the quality management standards, the procedures and complies with the requirements of the Architectural Range Approved Applicator schedule.

This certificate is effective from
17th October 2017 to 16th October 2018

Approved for Aluminium Alloys AA6063
Approved for Pre-treatment Type Chrome

Wael Mahmoud
Regional Export & Marketing Manager
Near East & East Africa

Date 17/10/2017
Certification number N° EGY09D1

AkzoNobel Powder Coatings S.A.E



Interpon.
POWDER COATINGS

AkzoNobel

Interpon D Approved Applicator

Interpon D2000 Series

Extrucoat 21 for producing coloring aluminium profiles

3rd Industrial area, piece 576, 6th of October.
Giza, Egypt.

Has fulfilled AkzoNobel's tests and inspection regarding the pre-treatment, the application, the quality management standards, the procedures and complies with the requirements of the Architectural Range Approved Applicator schedule.

This certificate is effective from
30th October 2017 to 29th October 2018

Approved for Aluminium Alloys AA6063
Approved for Pre-treatment Type Chrome


Wael Mahmoud
Regional Export & Marketing Manager
Near East & East Africa

Date 30/10/2017
Certification number N° EGY09D2

AkzoNobel Powder Coatings S.A.E



120 Anox
VOLCANO





SPECIFICATION TECHNIQUE TECHNICAL SPECIFICATION

PROFILS:

Ce système a été étudié et conçu par Alceo, pour la fabrication de fenêtre à frappe et coulissante. Il utilise les dernières technologies d'assemblage et de fabrication. Ce nouveau système est en conformité avec le standard Européen.

NORMES PRINCIPALES:

Etudes et production: NF P24-101, NF P24-301, XP P24-400 et 401

Test et classification: NF EN 1026, NF EN 1027, NF EN 12211, NF EN 12207, NF EN 12208, NF EN 12210.

Performances thermiques et acoustiques: NF EN 410, NF EN 673, NF EN ISO 10077-1, PR EN 13947, NF EN ISO 140-4 et NF EN ISO 140-5.

MATIERE:

Le profil extrudé est en alliage d'aluminium (Al Mg Si) 6060 (norme NF EN 573-3, NF EN 755-1 and 2). Les tolérances sont conformes à la norme NF EN 12020-1 et 2).

TRAITEMENT THERMIQUE:

T4-T5-T6

PROTECTION:

Classe d'anodisation :
classe 15 (15-20 microns)
Classe 20 (20-25 microns) en option
L'anodisation est conforme au label qualité QUALANOAD EWWA/EURAS

ACCESSOIRES:

Tous les accessoires, produits et joints sont conçu pour le système Alceo.
Utilisation de matériaux de haute qualité.
Visserie: Acier inoxydable 18/10
Joint: EPDM
Autres: Polyamide, Zamack, Fonte d'aluminium

PROFILES:

This system studied and designed by Alceo is specific for hinged and sliding windows. Using the last technology for fixing and manufacturing operation . This new system is in conformance with French European standard.

MAIN NORMS:

Study and production: NF P24-101, NF P24-301, XP P24-400 and 401

Test and classification: NF EN 1026, NF EN 1027, NF EN 12211, NF EN 12207, NF EN 12208, NF EN 12210.

Thermic and noise performance: NF EN 410, NF EN 673, NF EN ISO 10077-1, PR EN 13947, NF EN ISO 140-4 and NF EN ISO 140-5.

MATERIAL:

The extracted profile are in aluminum alloy (Al Mg Si) 6060 (norm NF EN 573-3, NF EN 755-1 and 2). All tolerance are specific norm NF EN 12020-1 and 2).

THERMICAL TREATMENT:

T4-T5-T6

PROTECTION:

Anodized class 15 (15-20 microns)
Class 20 (20-25 microns) in option
Anodisation will be conforms to the quality label QUALANOAD EWWA/EURAS

ACCESSORIES:

All accessories, hardware or gaskets are designed for Alceo system.
High quality material using.
Screw: Stainless steel 18/10
Gasket: EPDM
Other: Polyamide, Zamack, Cast aluminum

VOLCANO

120 Anox



SPECIFICATION TECHNIQUE TECHNICAL SPECIFICATION (suite)

CONCEPT PRODUIT:

Couissant, frappe de type traditionnel.

CADRE FIXE:

Le cadre fixe est de forme tubulaire

CHASSIS OUVRANT:

Coté et montant central sont de forme tubulaire.

ASSEMBLAGE:

Cadre dormant : Coupe a 45° assemblé par equerres vissées.

Cadre ouvrant : Coupe a 45° assemblé par equerres vissées.

VITRAGE :

Simple ou double vitrage, de 6 mm a 22 mm maintenu par des joints en EPDM clippé sur le panneau avec un prise en feuillure minimum de 20mm. Le chassis doit être monté à l'intérieur de la maçonnerie.

ETANCHEITE:

L'étanchéité est assurée par un joint central en EPDM. Une seconde barrière est incluse dans le dormant au centre du chassis (frappe). ;les joints sont en EPDM, ou Silicone.

Les fenêtres et les portes, assure un excellent drainage.

CONCEPT PRODUIT:

Sliding windows, window doors , traditional

FIXED FRAMES:

Fixed frame of form design and tubular section.

OPENING FRAMES:

Side and central of form design and tubular section.

ASSEMBLY:

Door frames: out of cut of mitre by squares with pawn.

Opening: out of cut of mitre by squares with pawn.

GLAZING:

Simple or insulator of 6 with 22 mm maintained by joints in EPDM and a clipped panel a height minimum of 20mm (bottom of feuillure). The panel must obligatorily be with dimensions interior of construction

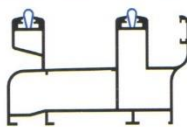
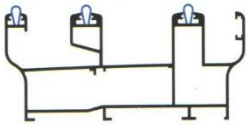
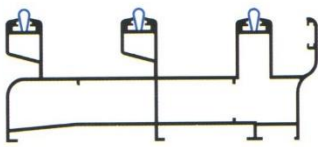
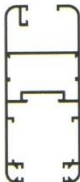


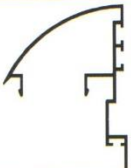

SEALING:

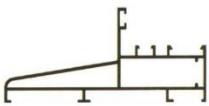
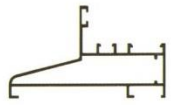
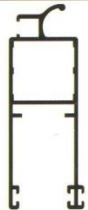






The sealing is guaranteed by a central sealing gasket in EPDM-ASTM tested. A second barrier, constituted by a sealing gasket, is on the flap by the inside overlap. Glazing is done with EPDM sealing gasket or silicone.








The windows and the door producers must guarantee an efficient drainage.

120 Anox

VOLCANO









Profile	Shape	Description	Weight kg/m	Ix-x cm4	Iy-y cm4
DW 12113		FRAME	1.701	15.501	46.213
DW 12112		FRAME	1.928	19.291	94.750
DW 12114		FRAME	2.040	48.652	151.907
DW 12200/A		SLIDING SASH SINGLE GLAZING	1.296	29.559	10.721
DW 12201/A		SLIDING SASH DOUBLE GLAZING	1.226	26.204	10.614
DW 12312/A		INTER LOCK PROFILE	0.505	4.715	4.009
DW 12313/A		INTER LOCK PROFILE CURVED	0.564	5.550	4.314
DW 12320		FLY SCREEN FRAME	0.583	26.797	9.960

Profile	Shape	Description	Weight kg/m	lx-x cm4	ly-y cm4
DW 44305		FIXED 100mm	1.187	4.901	37.616
DW 44306		FIXED 80mm	0.936	4.357	20.128
DW 12315		FLY SCREEN	0.655	9.224	1.925
DW 12316		MEETING ADAPTOR FLY SCREEN	0.173	0.986	0.886
DW 12314/A		MEETING ADAPTOR	0.337	0.602	1.602
DW 12300		DECORATIVE ARCHITRAVE 50MM	0.369		
DW 12301		DECORATIVE ARCHITRAVE 34MM	0.295		
DW 12302/A		FLAT ARCHITRAVE 70MM	0.367		
DW 12302		FLAT ARCHITRAVE 50MM	0.307		

Profile	Shape	Description	Weight kg/m	Ix-x cm ⁴	Iy-y cm ⁴
DW 12303		FLAT ARCHITRAVE 34MM	0.237		
DW 12304		ARCHITRAVE 50MM	0.357		
DW 12305		ARCHITRAVE 34MM	0.280		
DW 12308		ROUND ARCHITRAVE 50MM	0.365		
DW 12309		ROUND ARCHITRAVE 34MM	0.298		
DW 12310		CUREVED ARCHITRAVE 50MM	0.355		
DW 12311		CUREVED ARCHITRAVE 34MM	0.273		





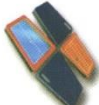






VOLCANO









120 Anox

CODE	DRAWING	DESCRIPTION	MATERIAL
WH-OMEGA-05		CREMON HANDEL	ALUMINIUM
IH-247-05		PORTOGUESE LOCK PLATE	ALUMINIUM
01-4210		CORNER JOINT	ALUMINIUM
ALU-575		ALIGNMENT FOR SASH	ALUMINIUM
PLAST-570		ALIGNMENT FOR SASH	PVC
ALU-574		ALIGNMENT FOR FRAME	ALUMINIUM
ANTIDUST-3395-03		ANTI DUST	ALUMINIUM
PLAST-3331		SHOCK ABSORBER GUIDE	PLASTIC

120 Anox

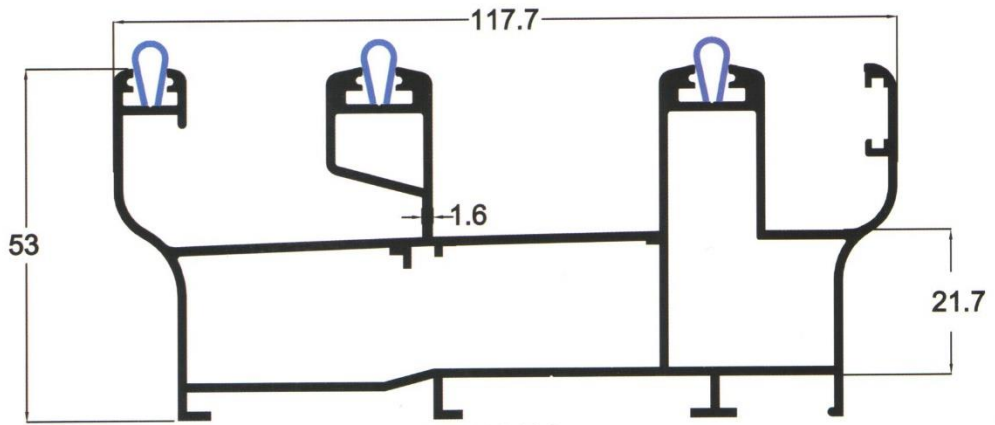
VOLCANO

CODE	DRAWING	DESCRIPTION	MATERIAL
 SUPRIMO		DOUBLE ROLLER (320 Kg)	ITALIAN NYLON
 SUPRIMO		SINGLE ROLLER (160 Kg)	ITALIAN NYLON
 SUPRIMO		ROLLER FOR FLY SCREEN	ITALIAN NYLON
 SUPRIMO		ROUND COVER CAP	PVC
 SUPRIMO		CORNER JOINT FOR FLY SCREEN	PVC
PL-3495		COVER CAPS	PVC

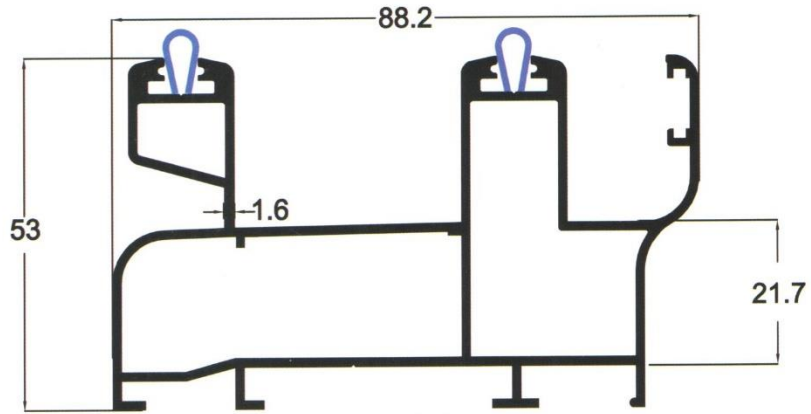
CODE	DRAWING	DESCRIPTION	MATERIAL
PB01		<i>BRUSH FOR DOOR 7*7MM</i>	<i>NYLON</i>
PB02		<i>BRUSH FOR DOOR 7*10MM</i>	<i>NYLON</i>
AVR.03		<i>GLASS GASKET 3MM</i>	<i>EPDM</i>
AVR.03'		<i>GLASS GASKET 3MM</i>	<i>EPDM</i>
AVR.04		<i>GLASS GASKET 4MM</i>	<i>EPDM</i>
AVR.05		<i>GLASS GASKET 5MM</i>	<i>EPDM</i>
TOURINO 312		<i>ANOX GASKET</i>	<i>EPDM</i>
ST.304		<i>ANOX BAR</i>	<i>STAINLESS</i>

120 Anox

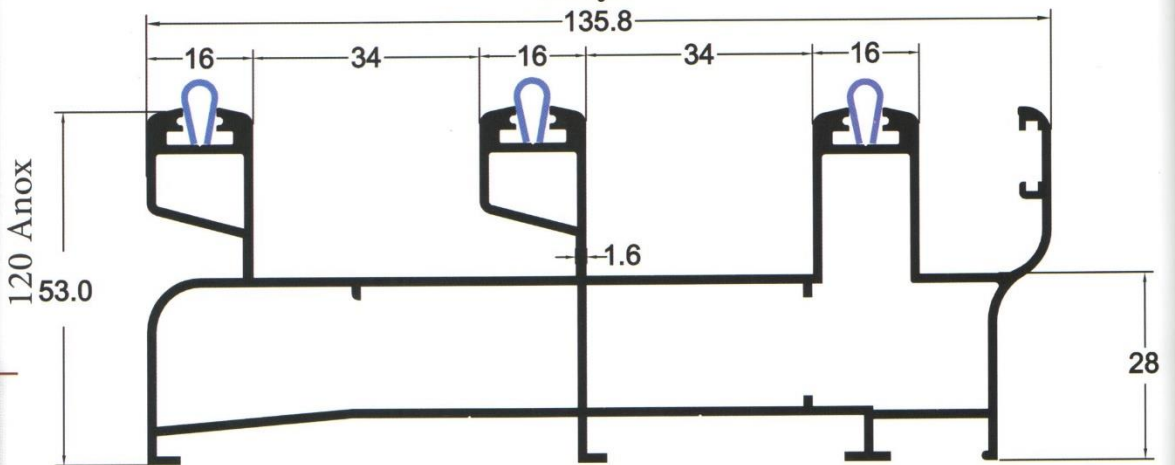
VOLCANO



DW 12112
1.928 Kg/m.

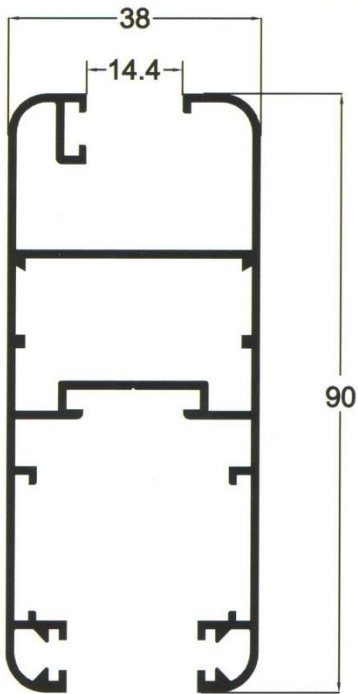


DW 12113
1.701 Kg/m.



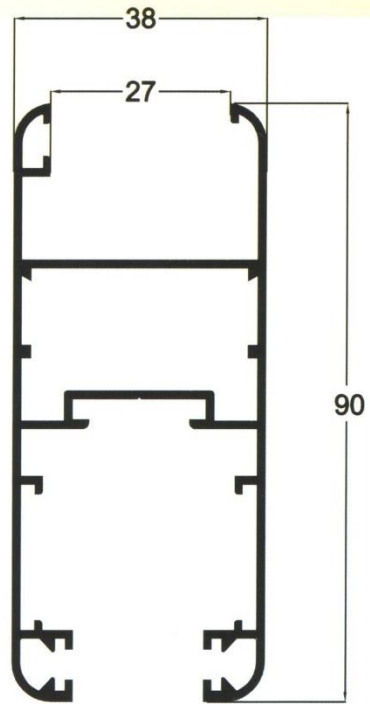
DW 12114
2.040 Kg/m.

VOLCANO



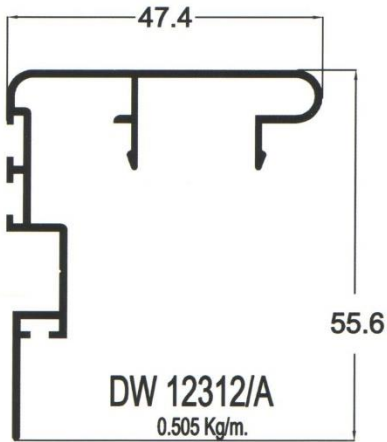
DW 12200/A

1.296 Kg/m.



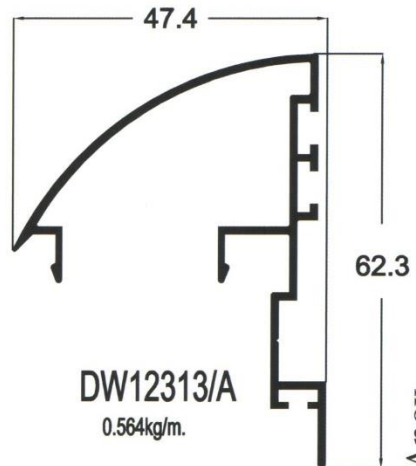
DW 12201/A

1.226 Kg/m.



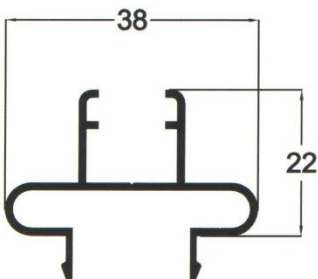
DW 12312/A

0.505 Kg/m.



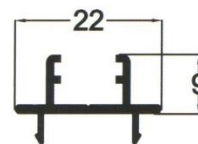
DW 12313/A

0.564kg/m.



DW 12314/A

0.282 Kg/m.

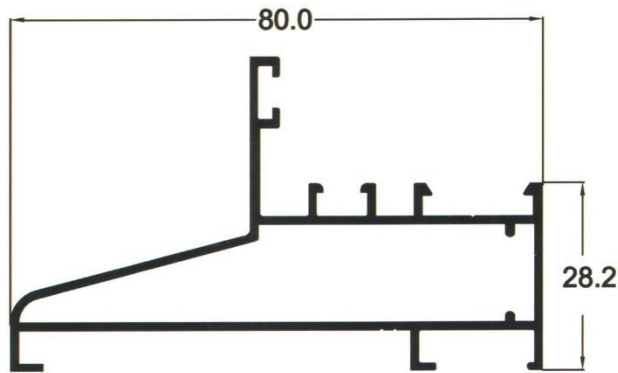


DW 12316

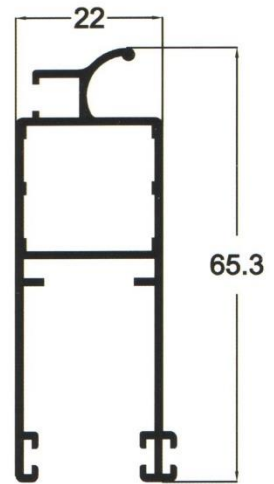
0.173 Kg/m.

120 Anox

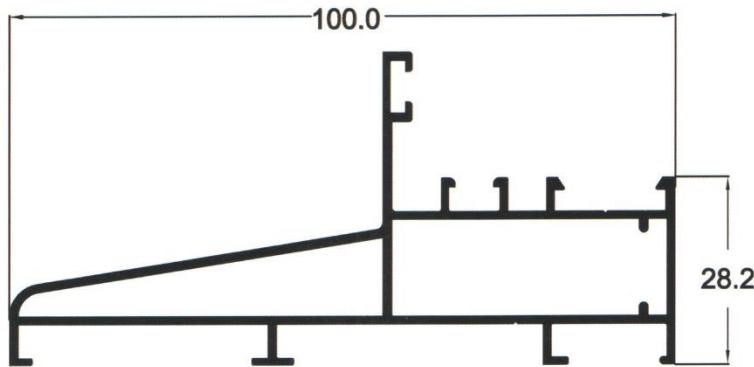
VOLCANO



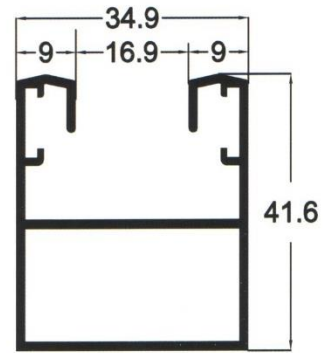
DW 44306
0.936 Kg/m.



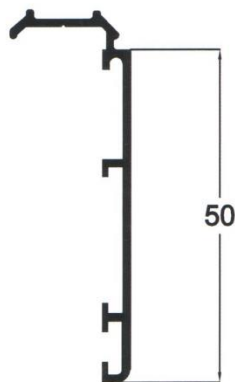
DW 12315
0.655 Kg/m.



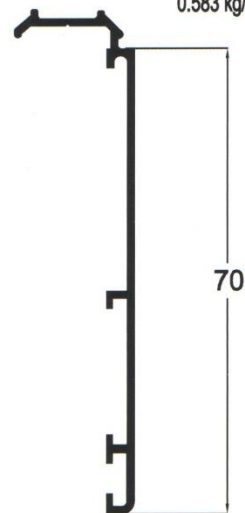
DW 44305
1.187 Kg/m.



DW 12320
0.583 kg/m.



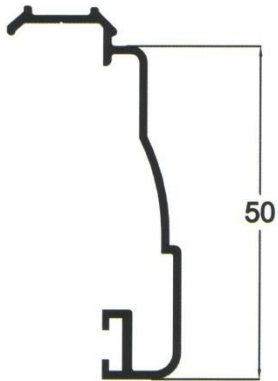
DW 12302
0.307 Kg/m.



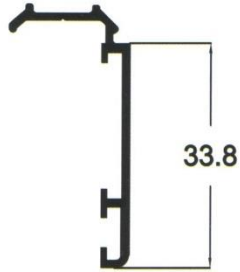
DW 12302/A
0.367 Kg/m.

VOLCANO

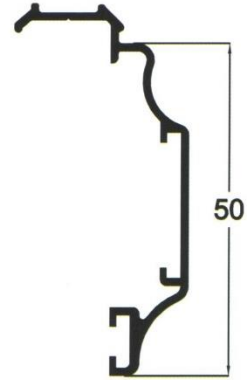
120 Anox



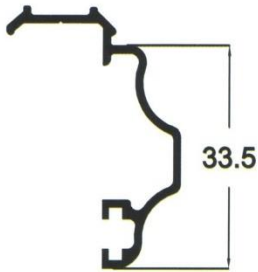
DW 12300
0.369 Kg/m.



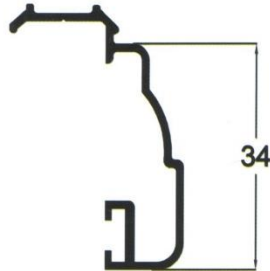
DW 12303
0.237 Kg/m.



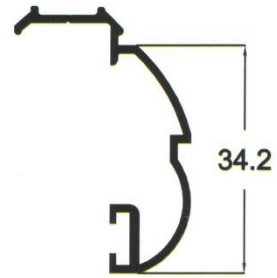
DW 12304
0.357 Kg/m.



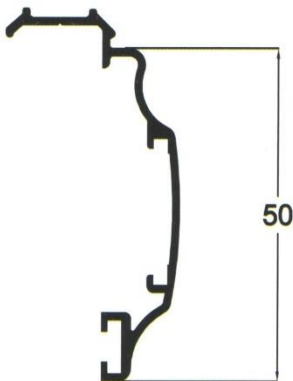
DW 12305
0.280 Kg/m.



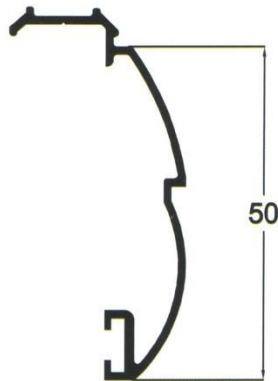
DW 12301
0.295 Kg/m.



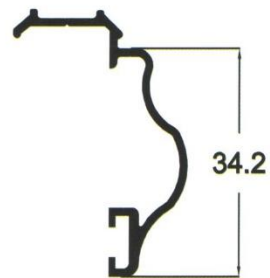
DW 12309
0.298 Kg/m.



DW 12310
0.355 Kg/m.



DW 12308
0.365 Kg/m.

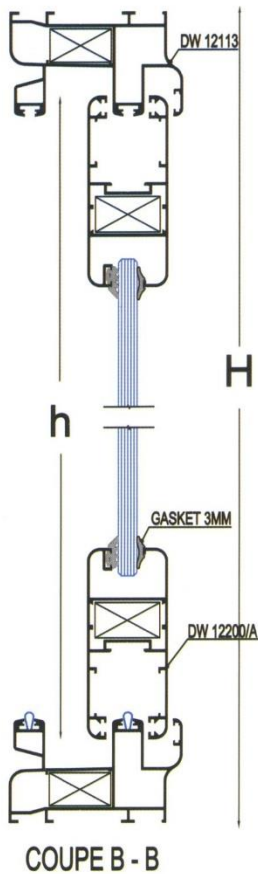
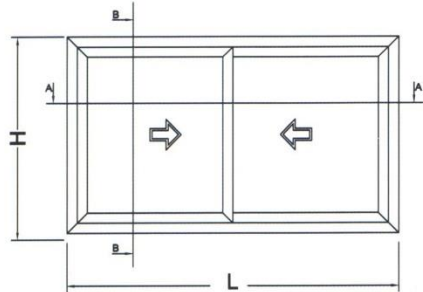





DW 12311
0.273Kg/m.

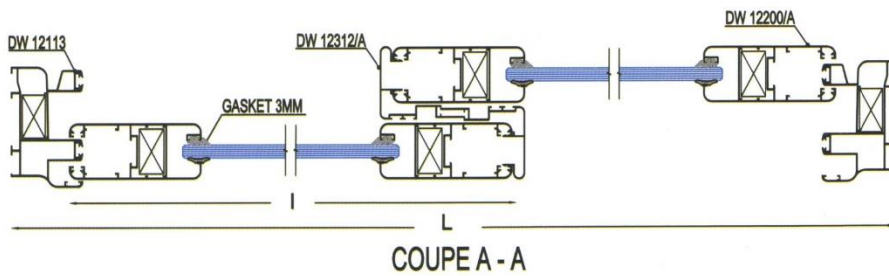
120 Anox

VOLCANO

Fenêtre Coulissante 2 Feuilles



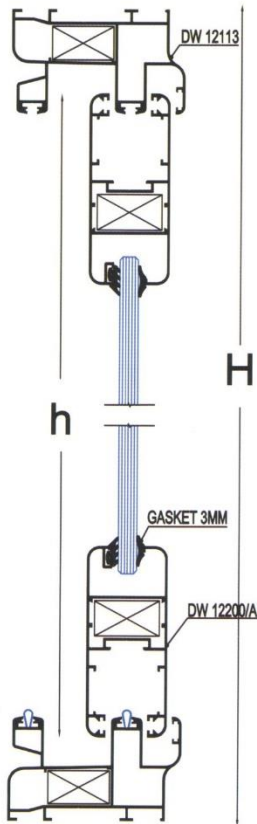
CUTTING LIST			
Shape	Prof. No	QTY.	CUTTING LENGTH (mm)
	DW 12113	2	L
		2	H
	DW 12200/A	4	$\frac{L-5}{2}$
		4	H - 85
	DW 12312/A	2	H - 85
GLASS		2	$\frac{L - 296}{2}$
			H - 234



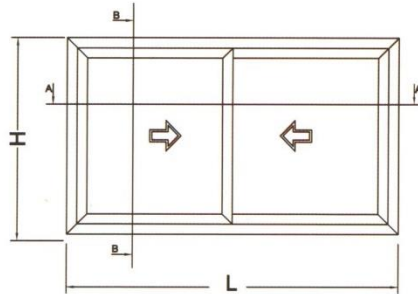
VOLCANO

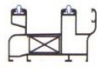
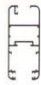

120 Anox

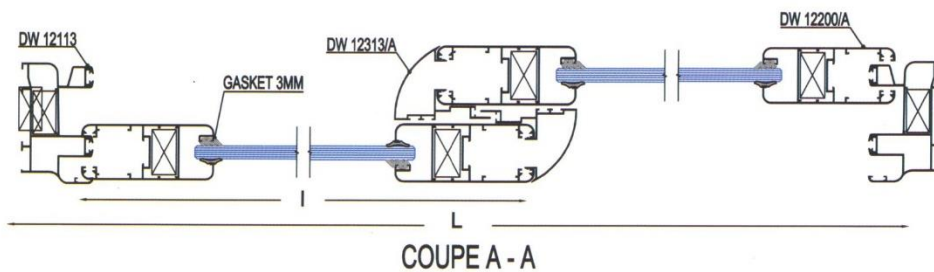
Fenêtre Coulissante 2 Feuilles



COUPE B - B



CUTTING LIST			
Shape	Prof. No	QTY.	CUTTING LENGTH (mm)
	DW 12113	2	L
		2	H
	DW 12200/A	4	$\frac{L-21}{2}$
		4	H - 85
	DW 12313/A	2	H - 85
GLASS		2	$\frac{L - 296}{2}$
			H - 234

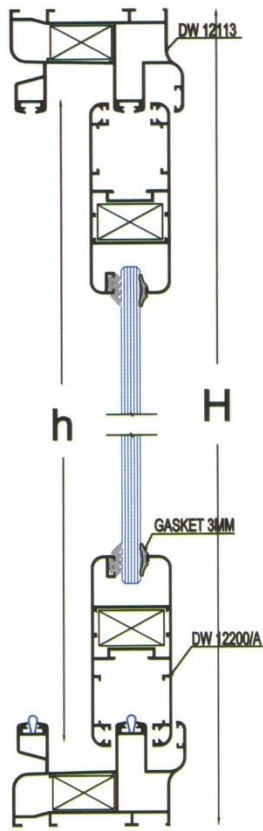


COUPE A - A

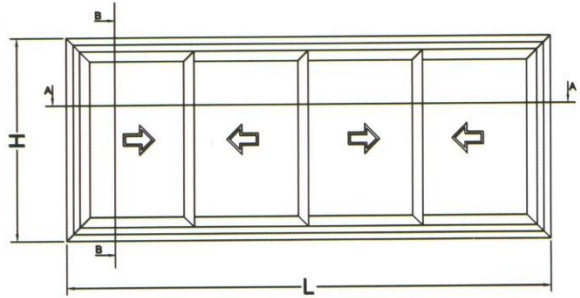
120 Anox



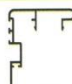

VOLCANO

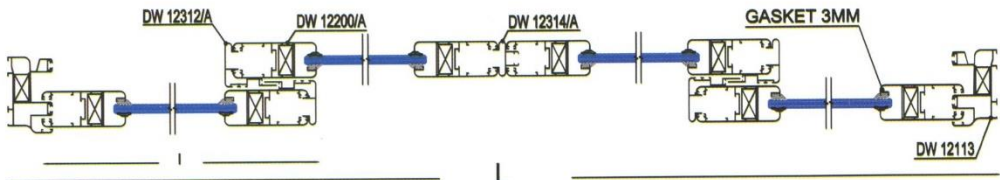
Fenêtre Coulissante 4 Feuilles



COUPE B - B



CUTTING LIST			
Shape	Prof. No	QTY.	CUTTING LENGTH (mm)
	DW 12113	2	L
		2	H
	DW 12200/A	8	$\frac{L+66}{4}$
		8	H - 85
	DW 12312/A	4	H - 85
	DW 12314/A	1	H - 85
GLASS		4	$\frac{L - 520}{4}$ H - 234

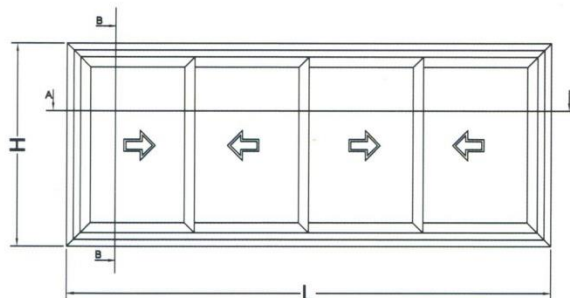
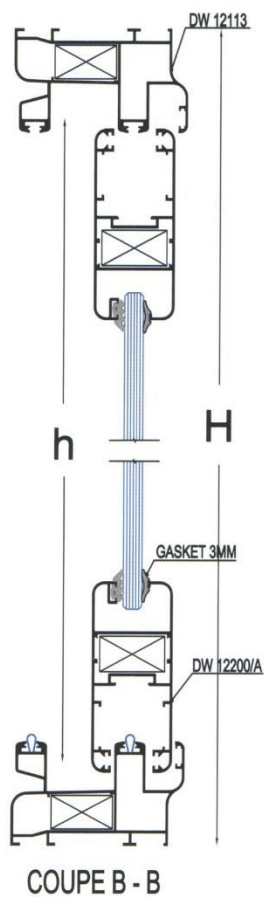



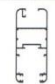


COUPE A - A

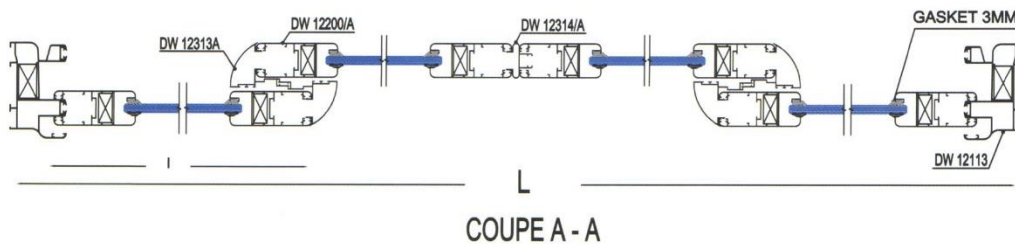
VOLCANO

120 Anox

Fenêtre Coulissante 4 Feuilles



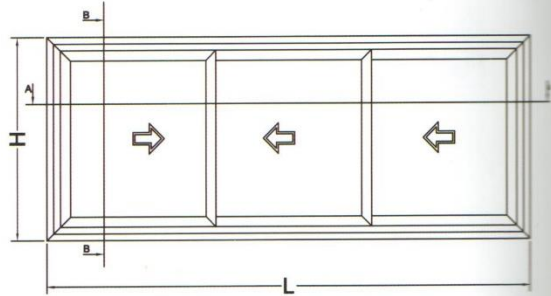
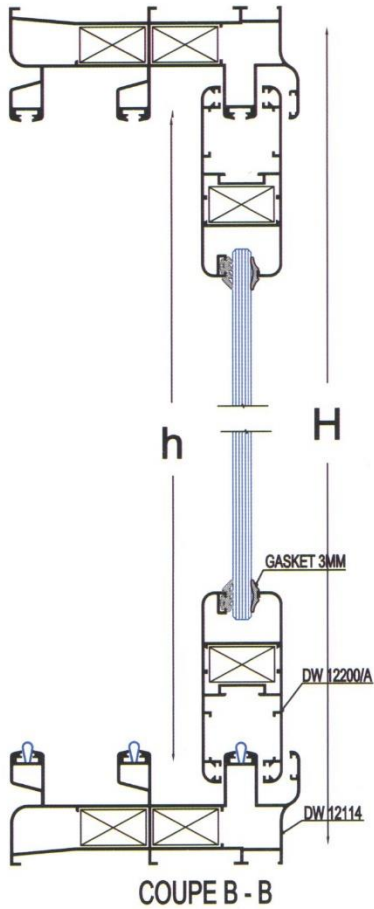
CUTTING LIST			
Shape	Prof. No	QTY.	CUTTING LENGTH (mm)
	DW 12113	2	L
		2	H
	DW 12200/A	8	$\frac{L+35}{4}$
		8	H - 85
	DW 12313/A	4	H - 85
	DW 12314/A	1	H - 85
GLASS		4	$\frac{L - 520}{4}$
			H - 234






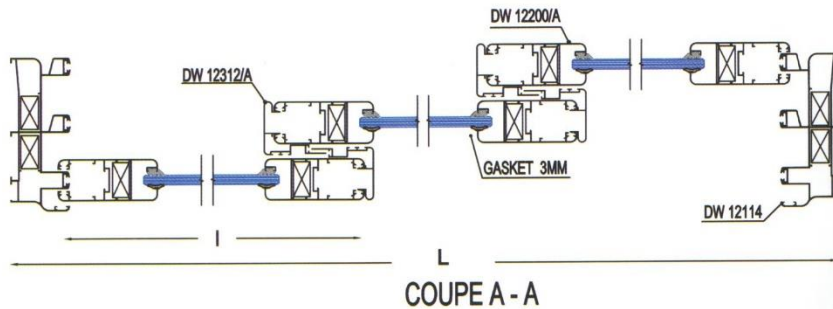
120 Anox

VOLCANO

Fenêtre Coulissante 3 Feuilles



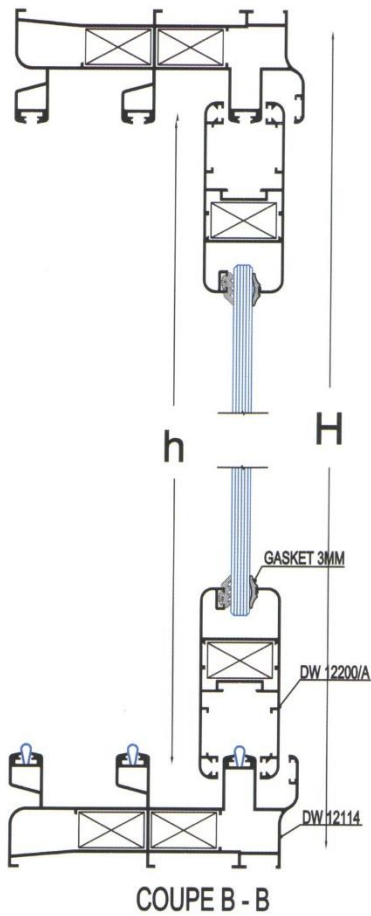
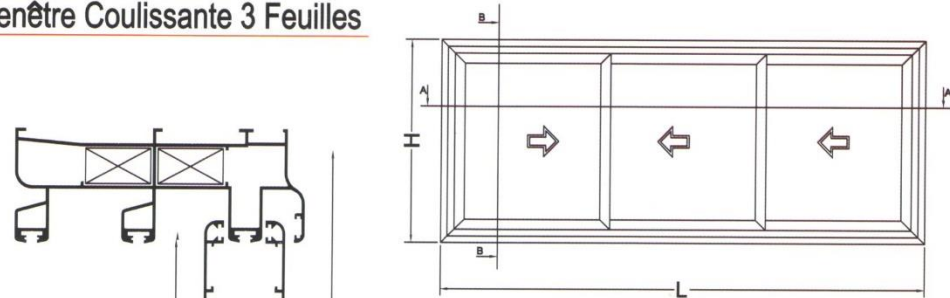
CUTTING LIST			
Shape	Prof. No	QTY.	CUTTING LENGTH (mm)
	DW 12114	2	L
		2	H
	DW 12200/A	6	$\frac{L+70}{3}$
		6	H - 85
	DW 12312/A	4	H - 85
GLASS		3	$\frac{L - 362}{2}$
			H - 234


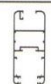



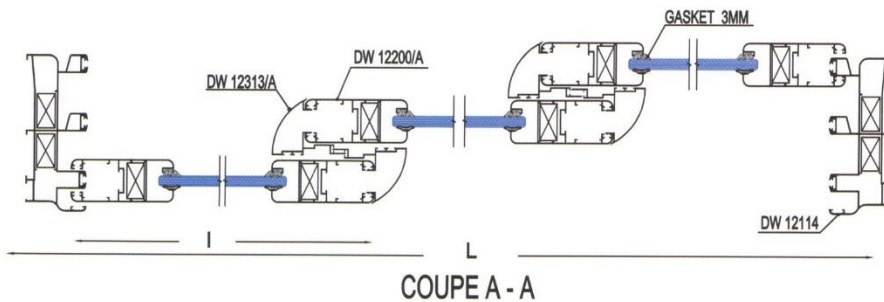
VOLCANO

120 Anox

Fenêtre Coulissante 3 Feuilles

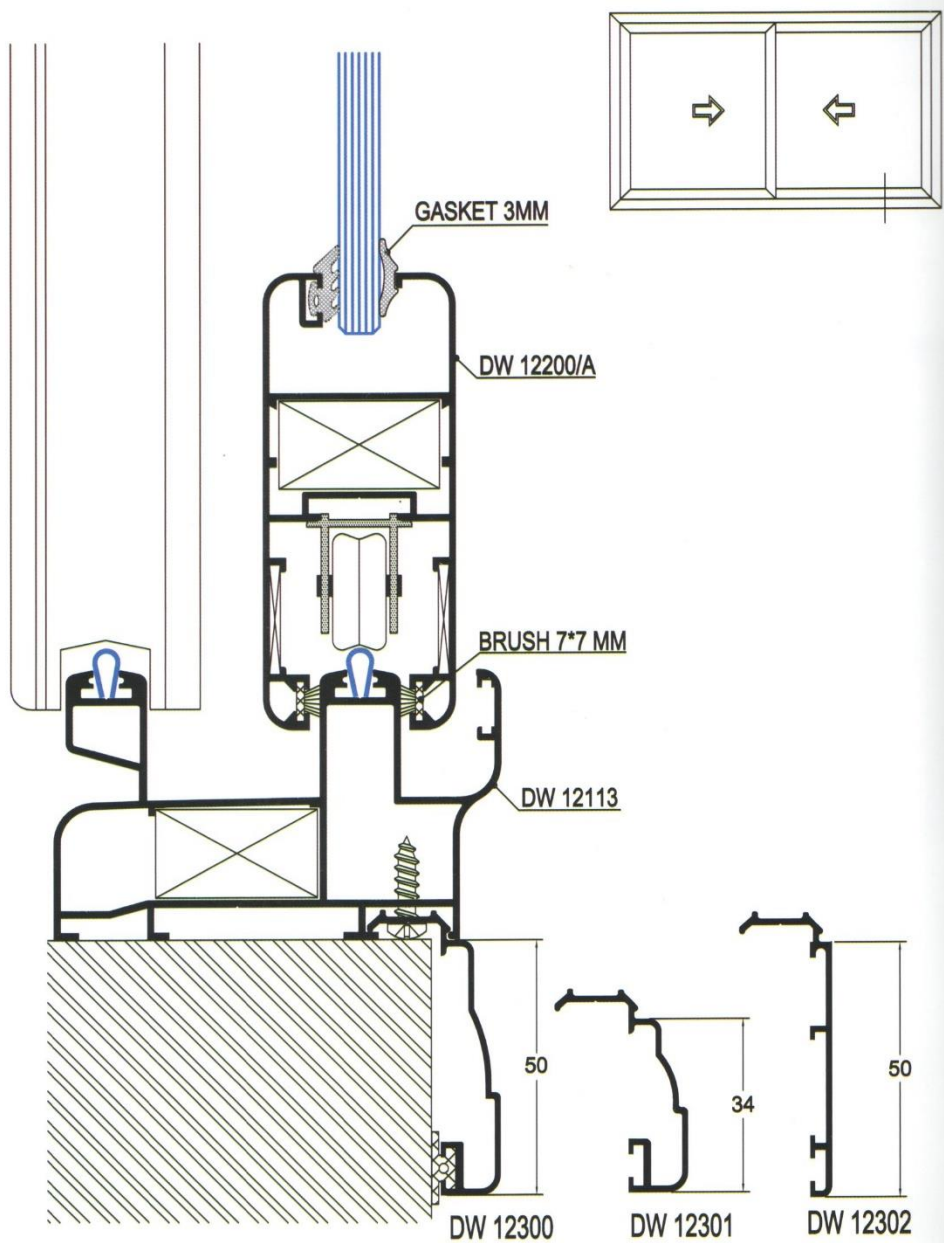


CUTTING LIST			
Shape	Prof. No	QTY.	CUTTING LENGTH (mm)
	DW 12114	2	L
		2	H
	DW 12200/A	6	$\frac{L+35}{3}$
		6	H - 85
	DW 12313/A	4	H - 85
GLASS		3	$\frac{L - 296}{2}$
			H - 234



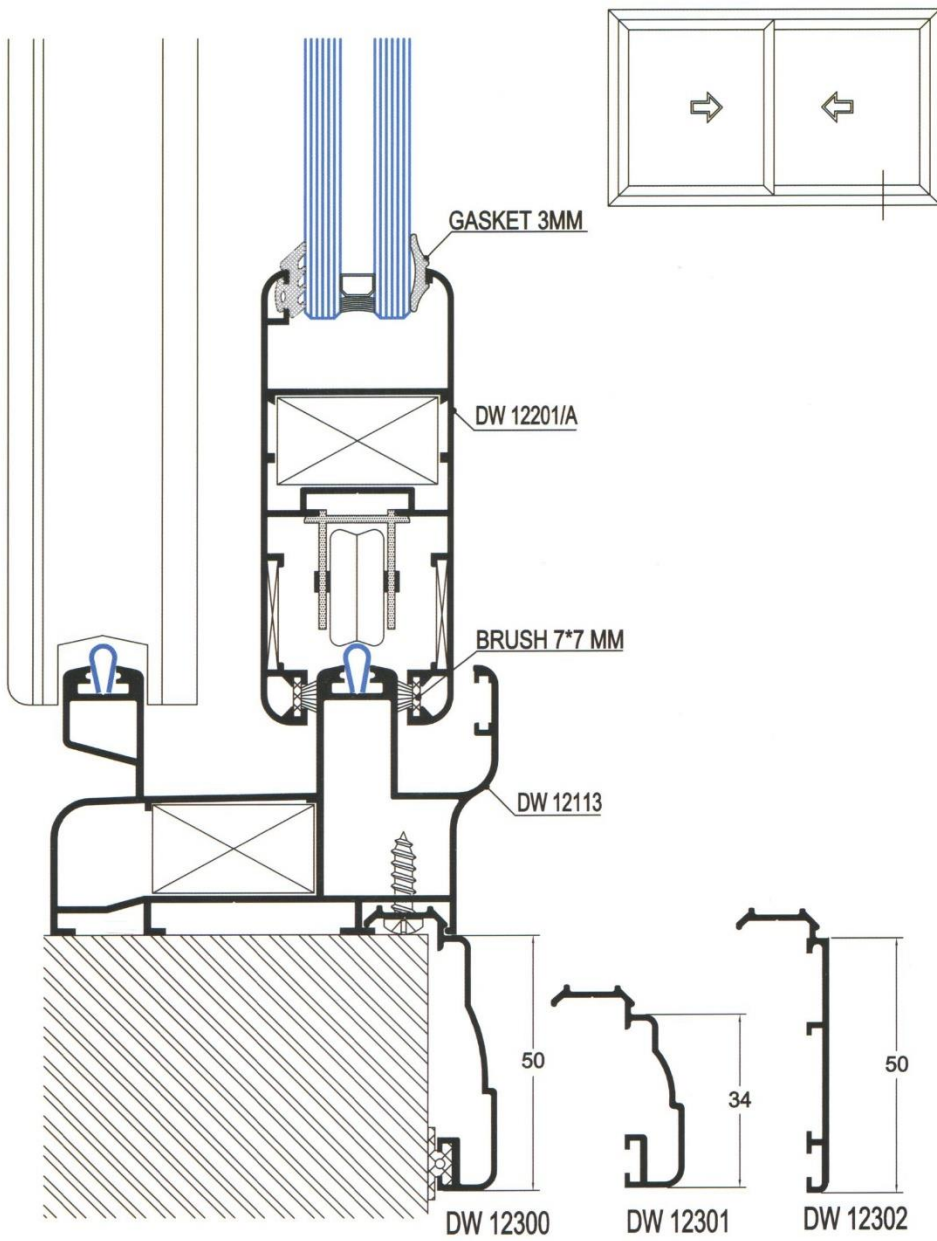
120 Anox

VOLCANO



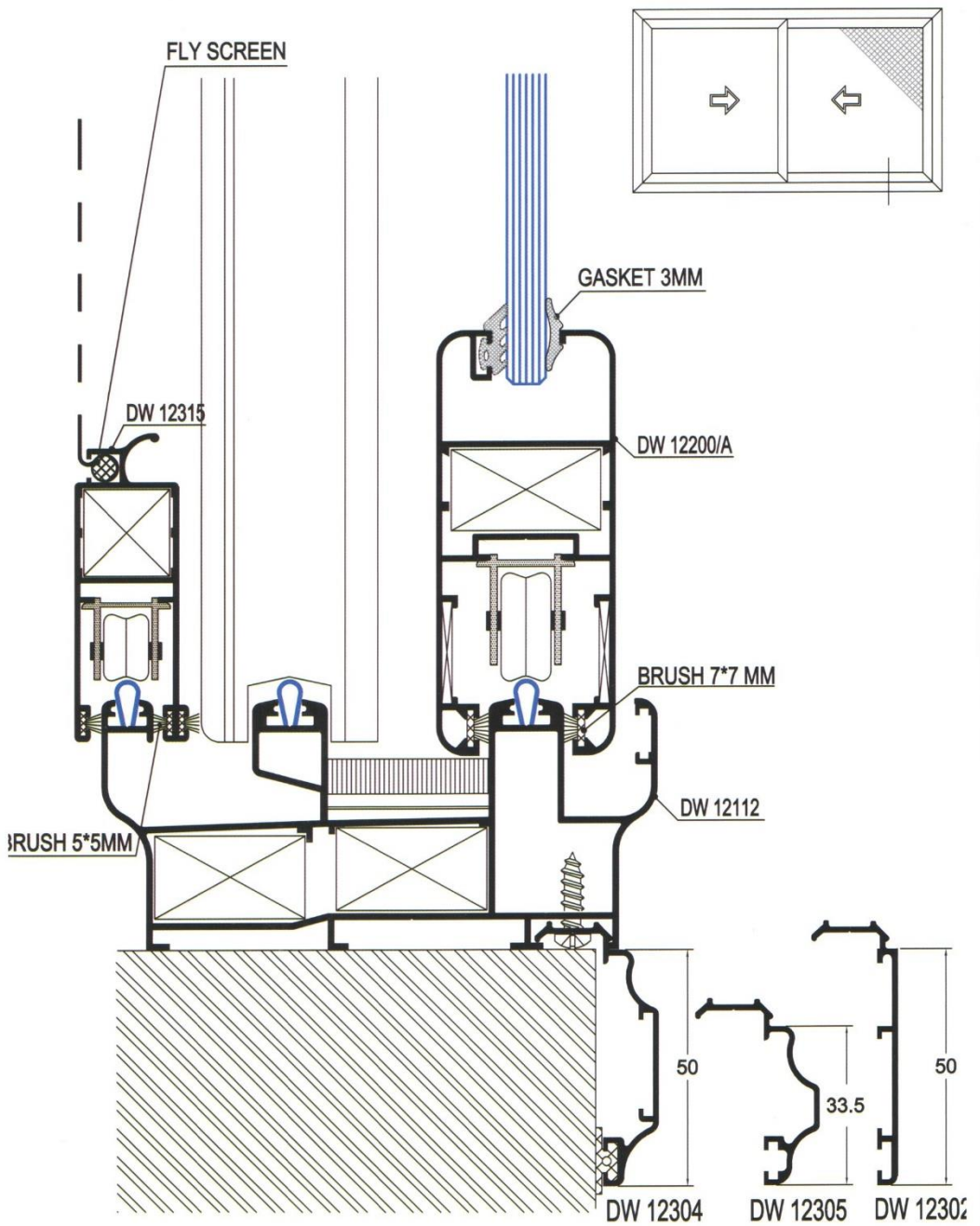
VOLCANO

120 Anox



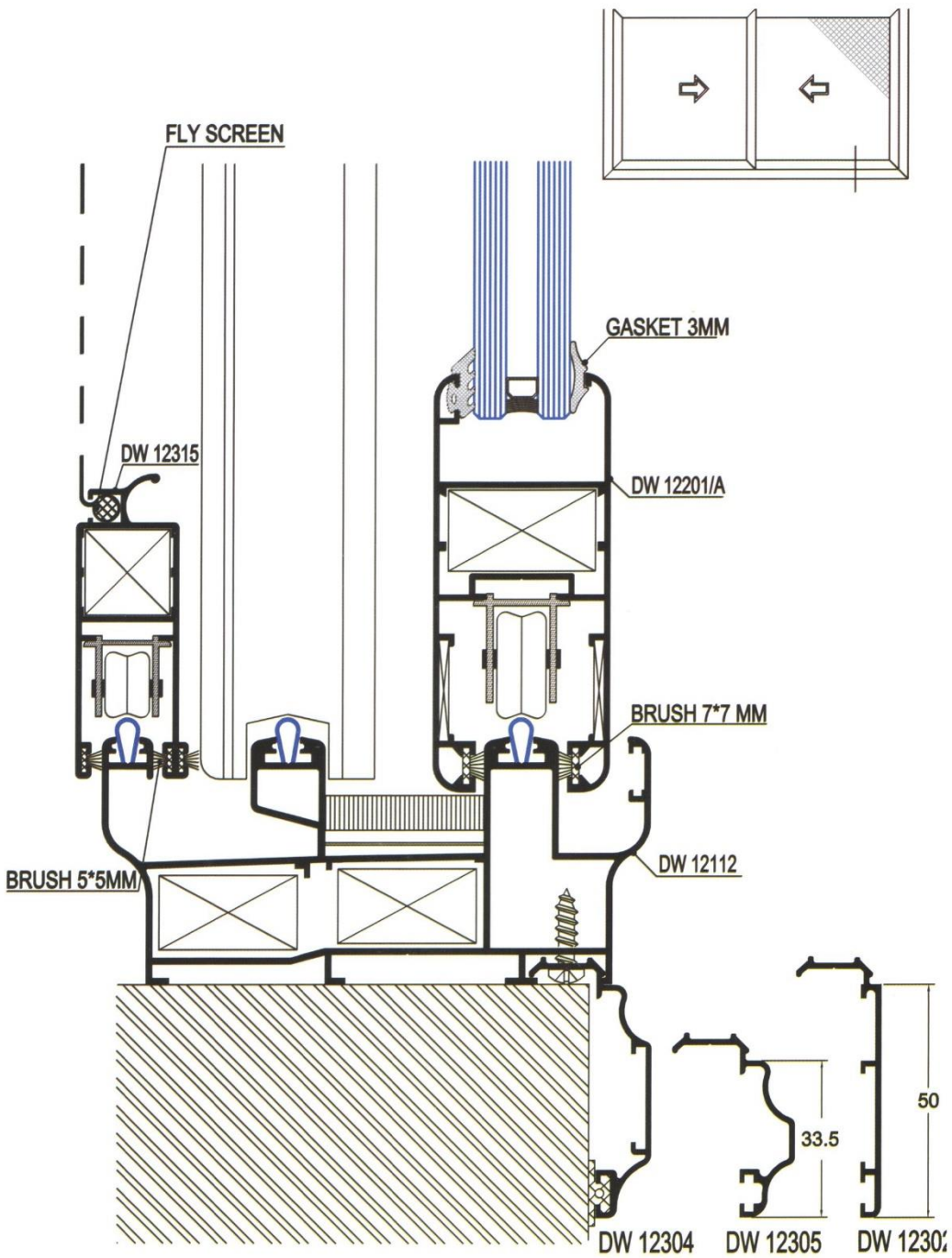
120 Anox

VOLCANO



VOLCANO

120 Anox

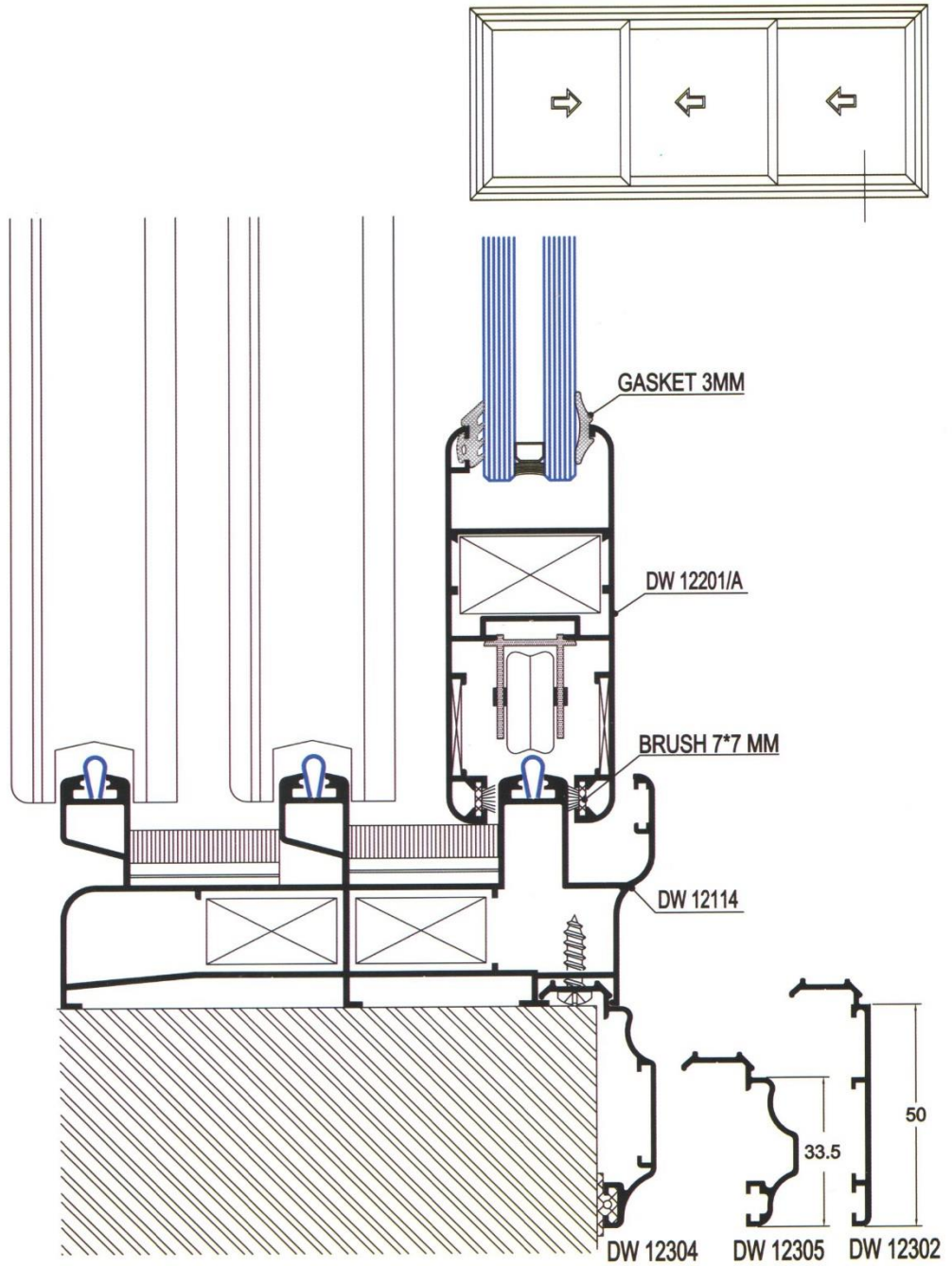


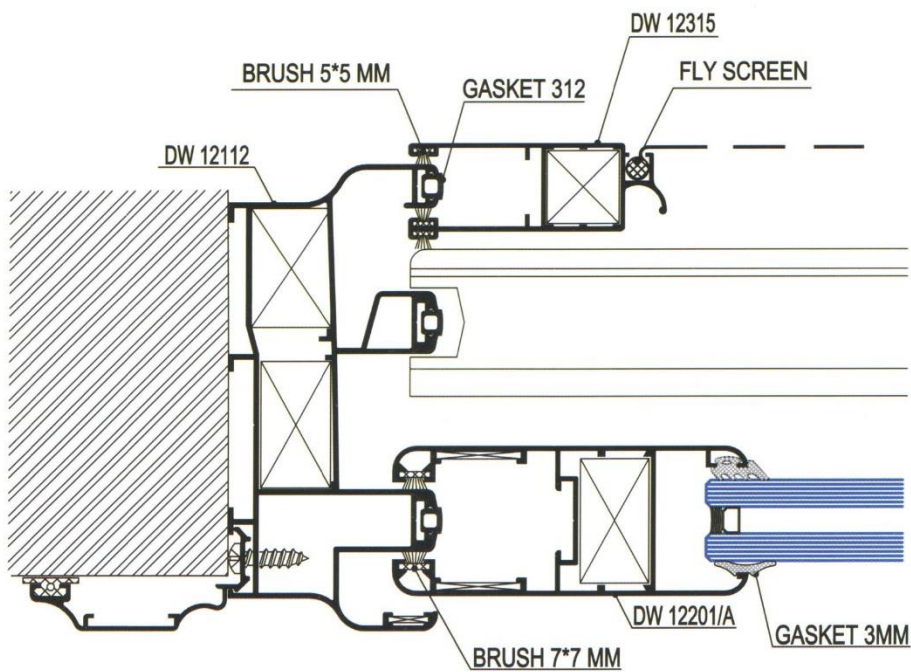
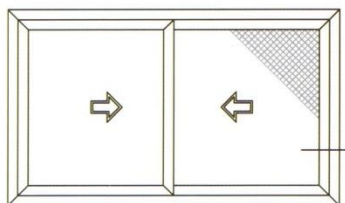
120 Anox

VOLCANO

VOLCANO

120 Anox

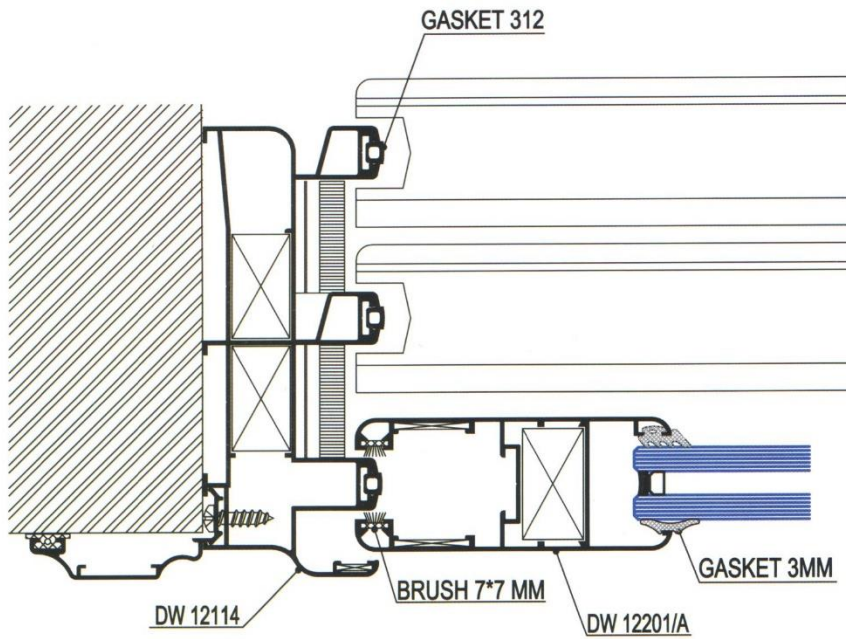
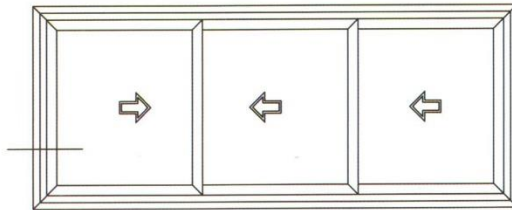




A - A

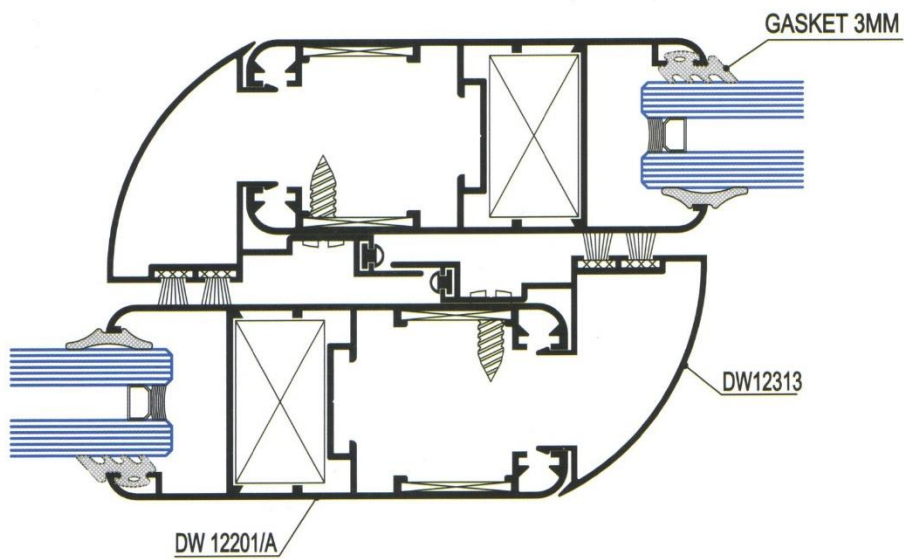
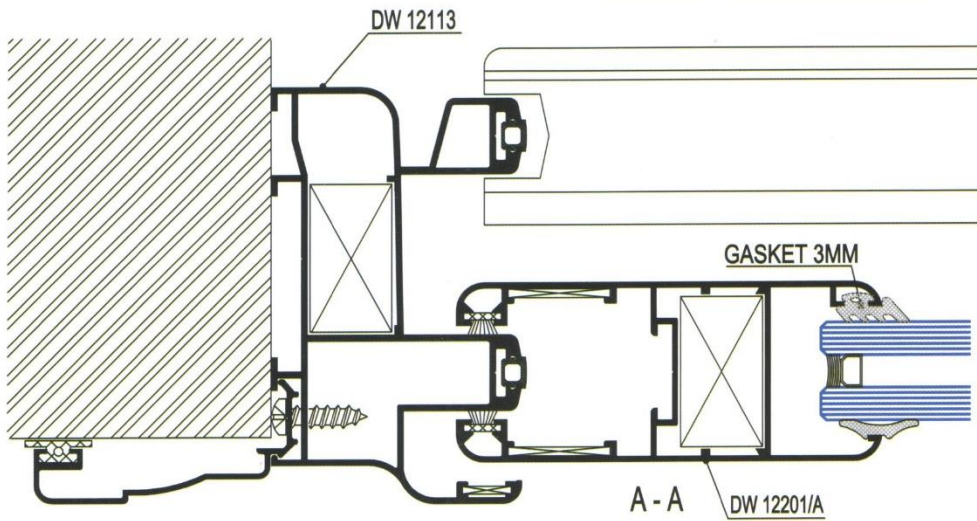
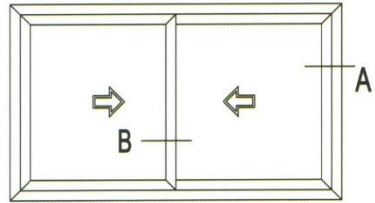
120 Anox

VOLCANO



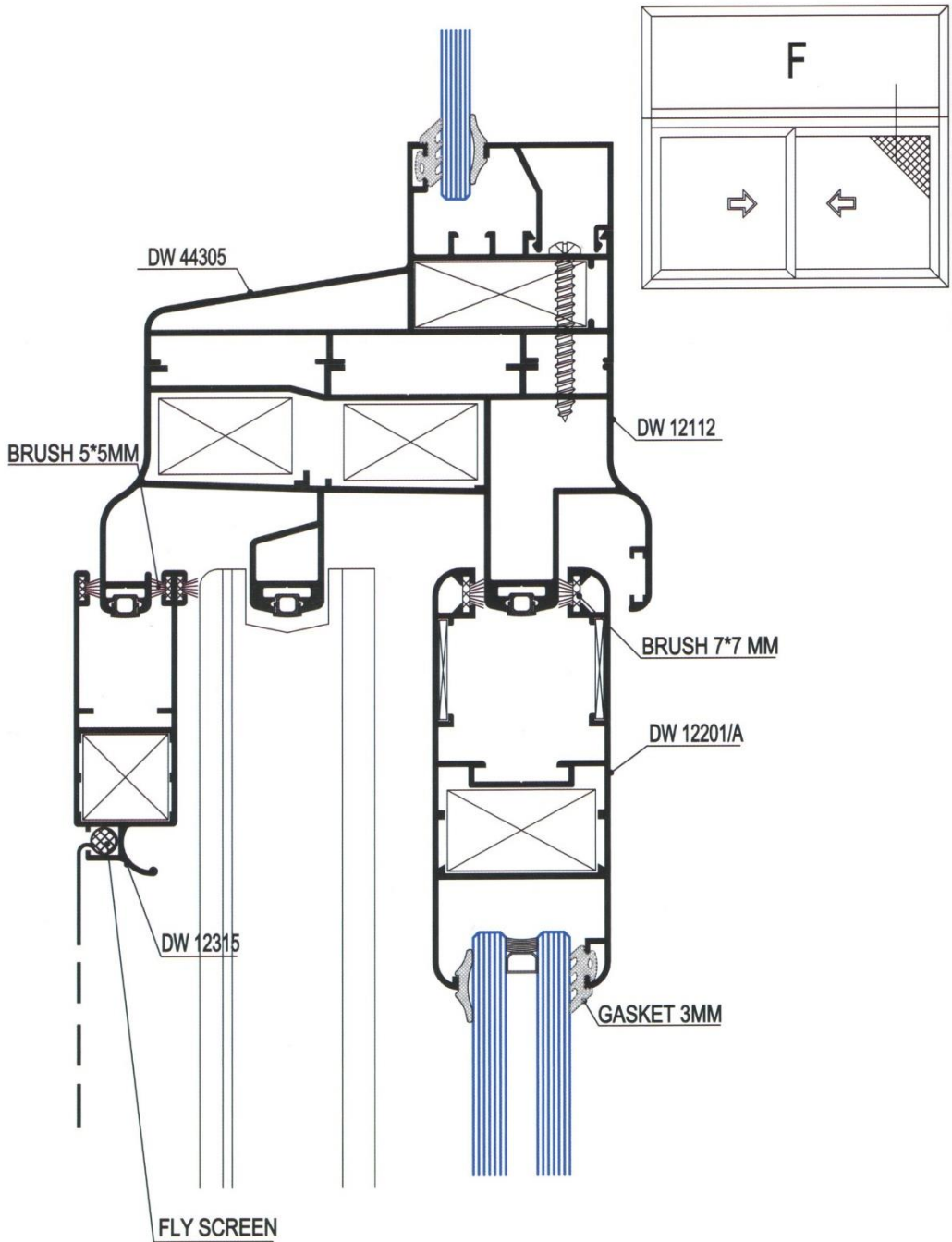
VOLCANO

120 Anox



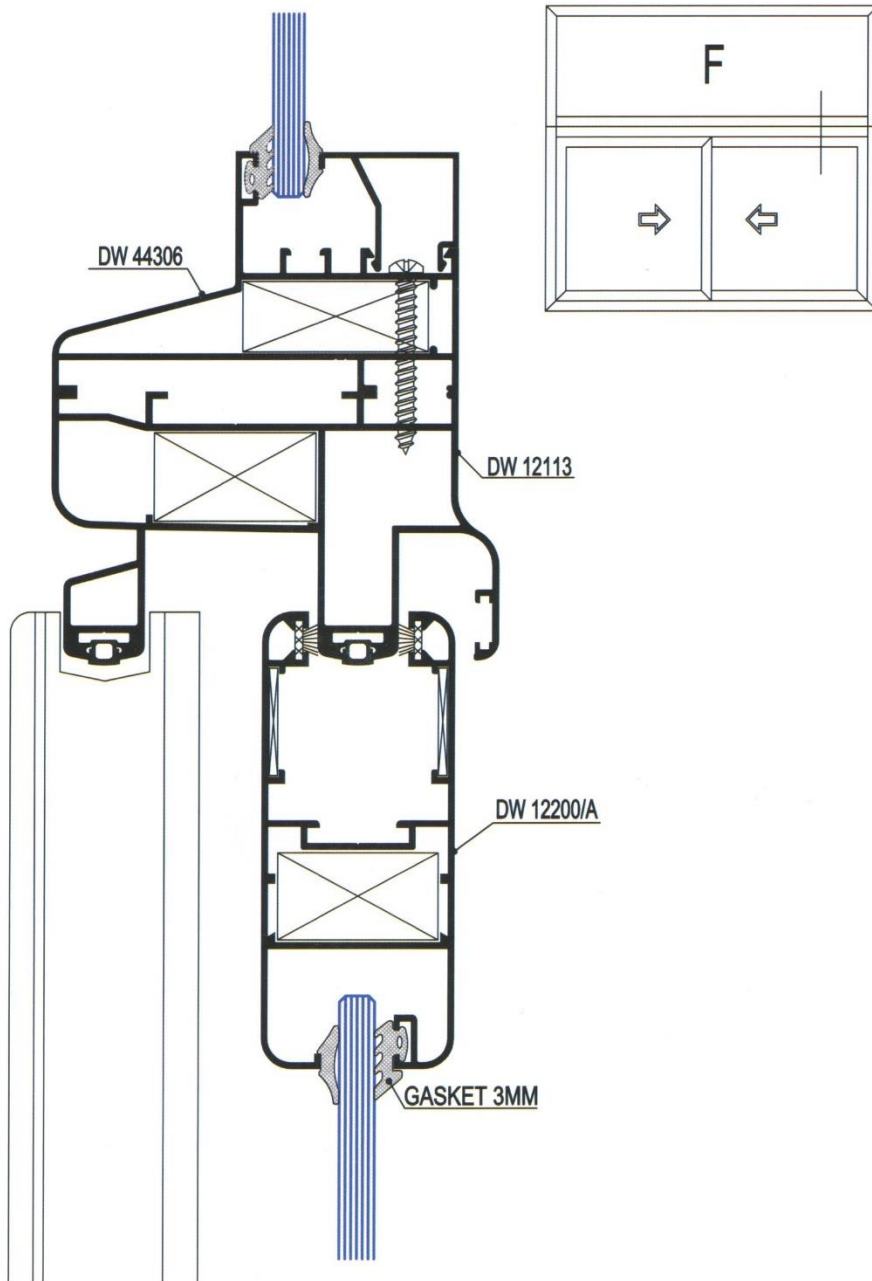
120 Anox

VOLCANO



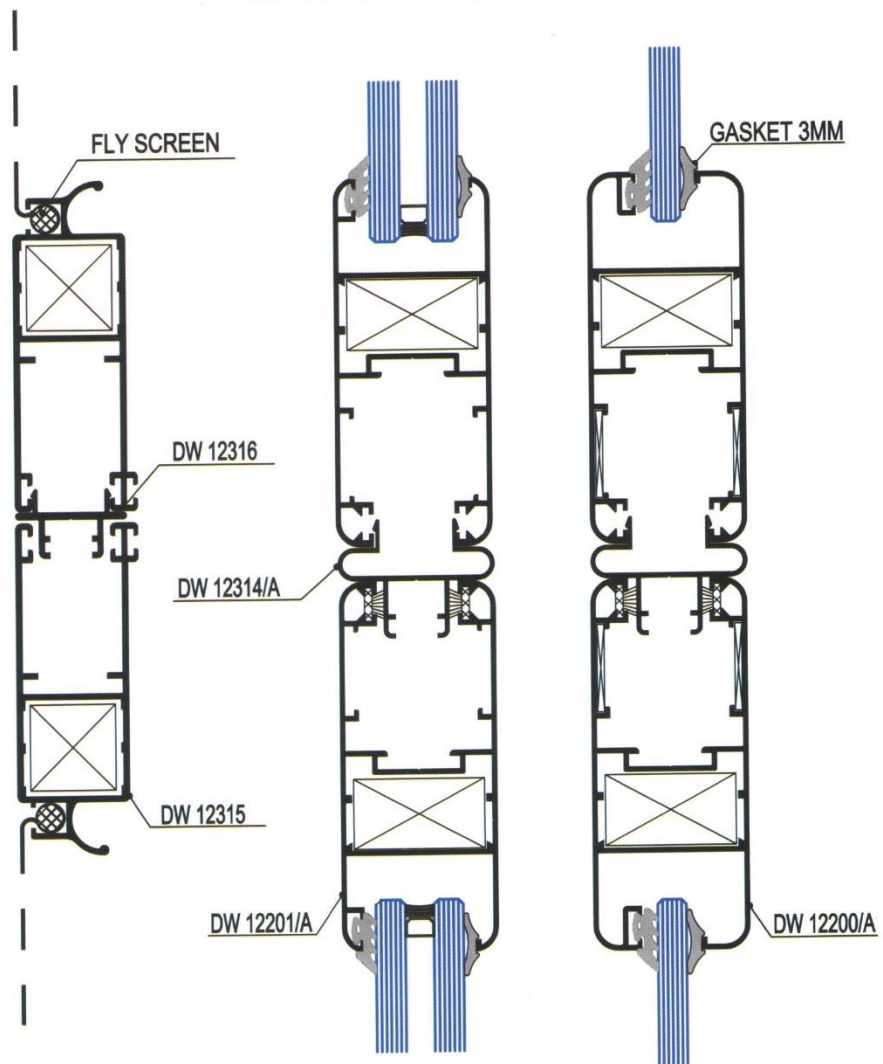
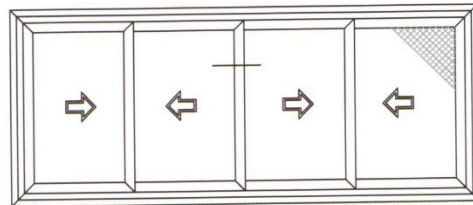
VOLCANO

120 Anox



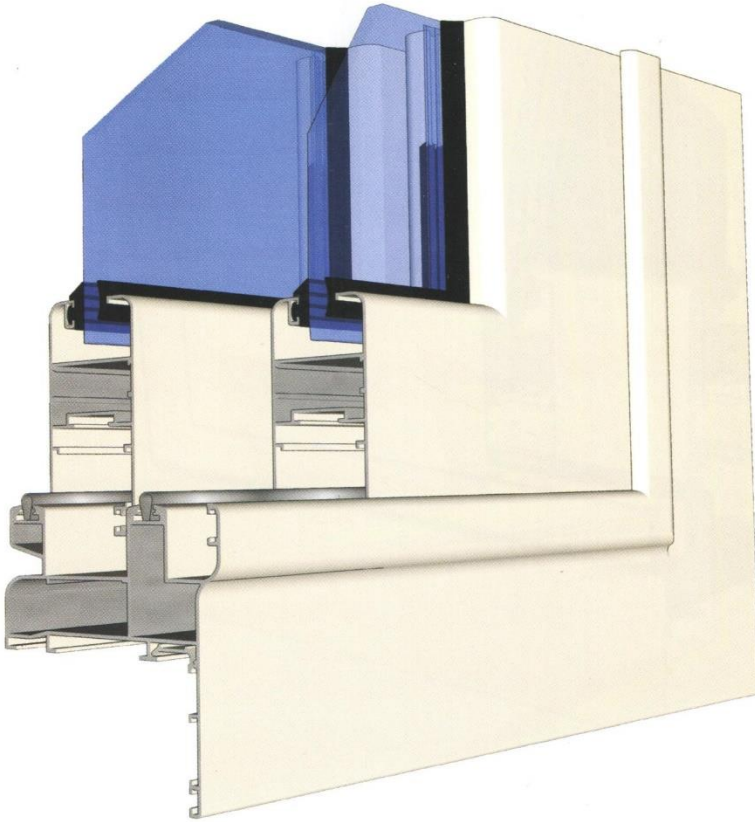
120 Anox

VOLCANO



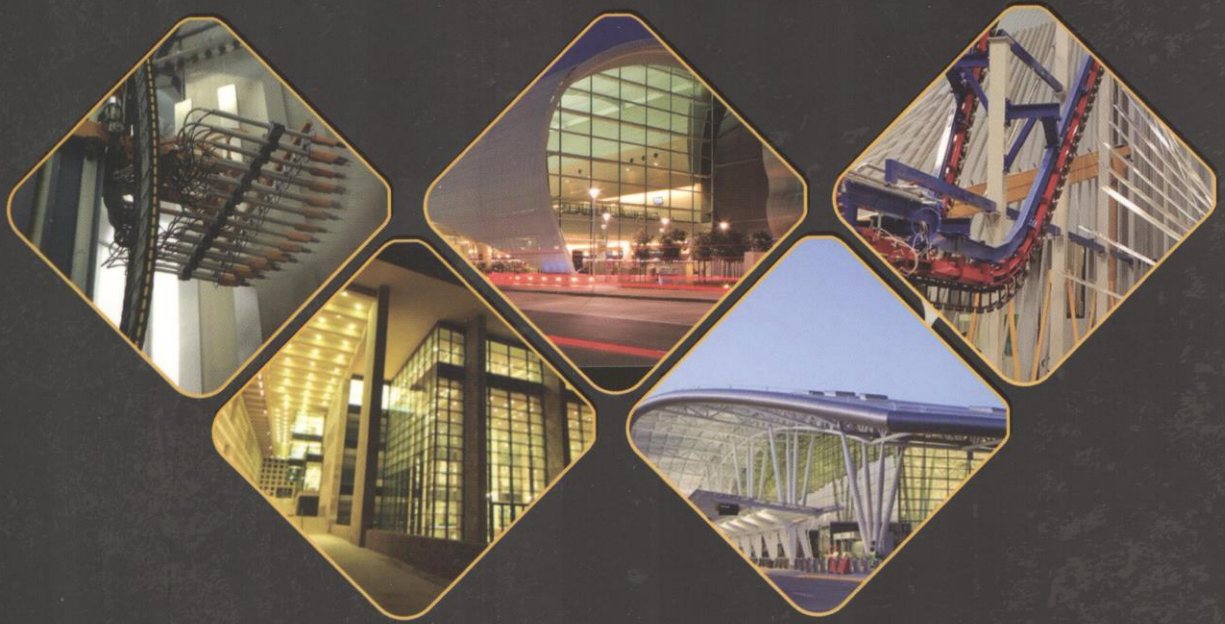
VOLCANO

120 Anox



120 Anox

VOLCANO



موزع معتمد لمنتجات الدوليه ٢١

Authorized distributor for Dawlia 21 products

Piece Z13-T15 - Engineering Square
Northern Expansions of the industrial Zone
6 of October City - Egypt

0122 9500 603
0120 588 399 5

القطعه زد ١٣ و تي ١٥ المطور الصناعي
الامتداد الشمالي المنطقه الصناعيه ،
السادس من اكتوبر - مصر

٠١٢٢ ٩٥٠٠ ٦٠٣
٠١٢٠ ٥٨٨ ٣٩٩ ٥